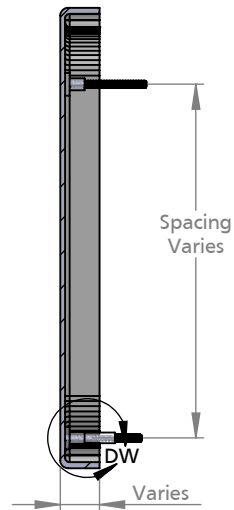


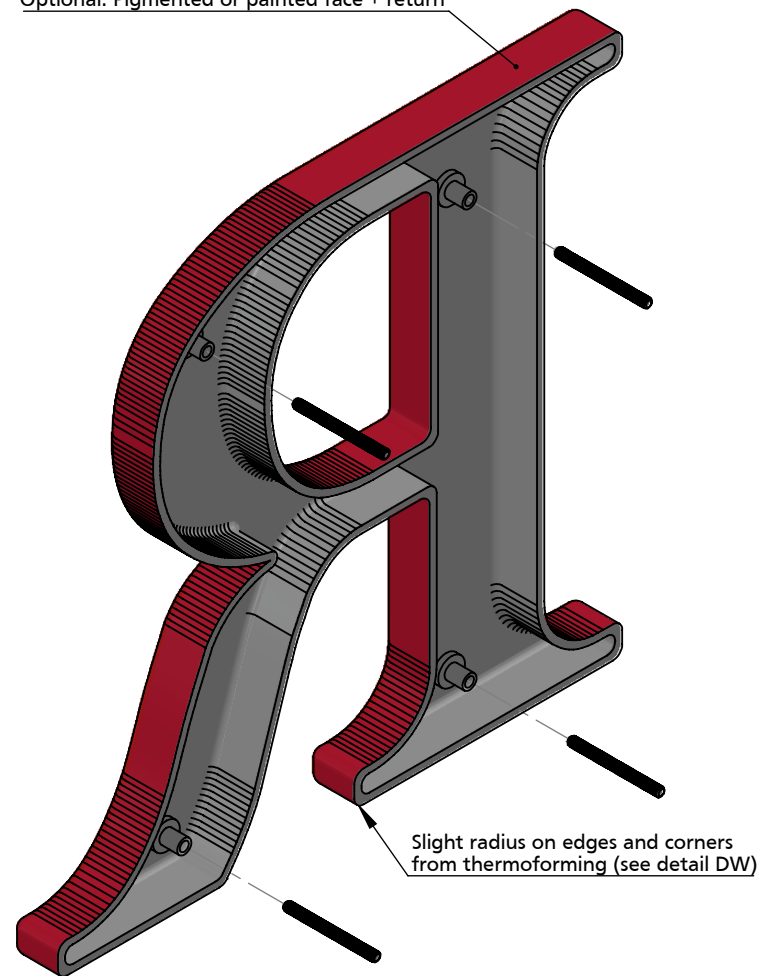


FRONT VIEW II SCALE 1:5



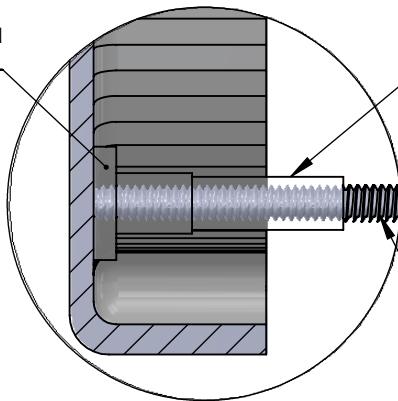
SECTION VIEW A-A II SCALE 1:5

Optional: Pigmented or painted face + return



ISOMETRIC BACK VIEW II SCALE 1:3

Plastic Stud Boss solvent bonded to inside of letter (size varies)



DETAIL DW II SCALE 1:1

Optional plastic or metal spacer sleeve (Size varies)

Aluminum 10/24 stud (length varies)



NOTES:
Typical stud length 2" beyond back of letter

TITLE:

FORMED PLASTIC - STUD MOUNT

MATERIAL:

PLASTIC

PRODUCT TYPE:

PLASTIC LETTERS

DWG NO. FORM10

REV 02/24/15

SCALE: AS INDICATED

SHEET 1 OF 1