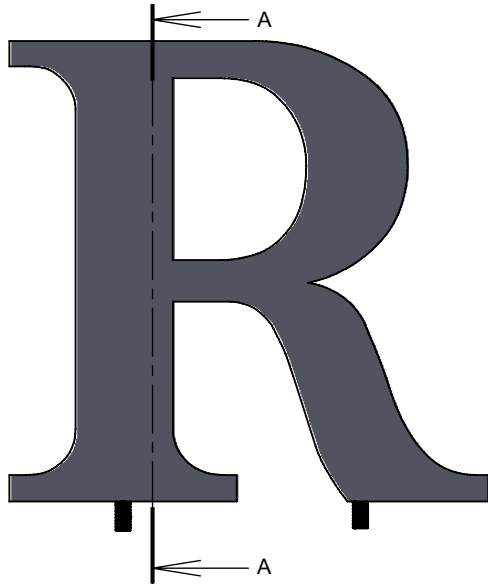
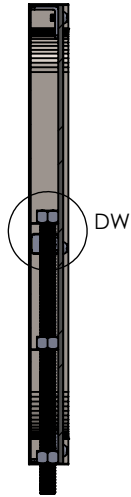


PRODUCT CONSTRUCTION EXAMPLE



FRONT VIEW II SCALE 1:5

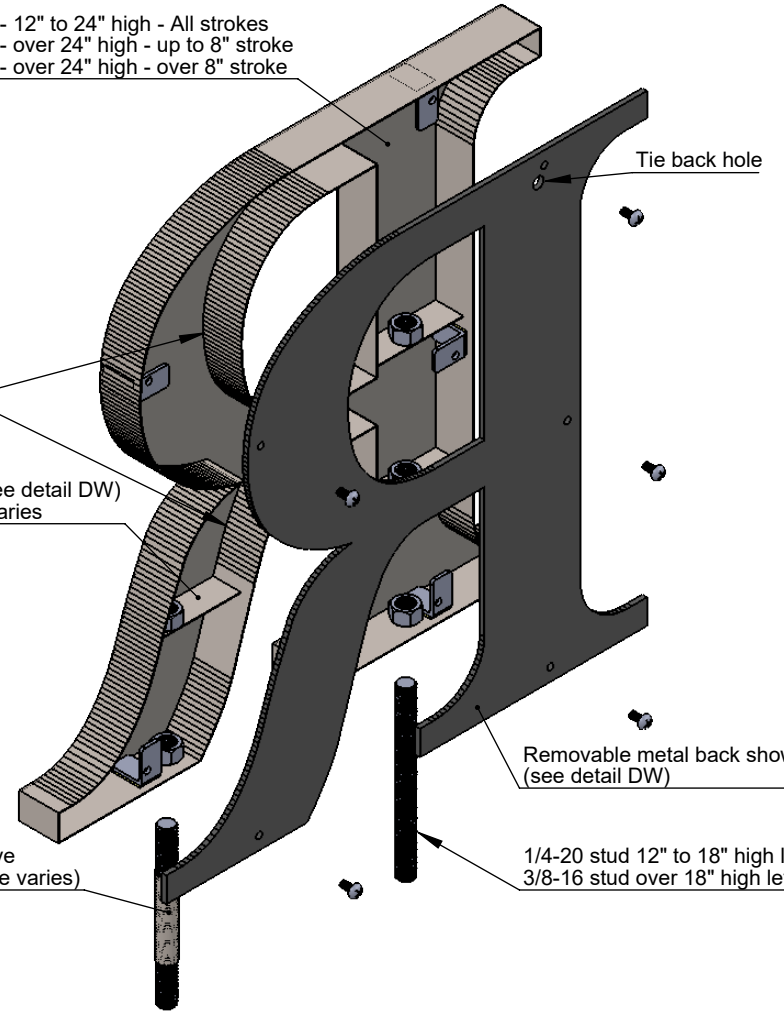


SECTION VIEW A-A II SCALE 1:5

18 gauge face material - 12" to 24" high - All strokes  
 18 gauge face material - over 24" high - up to 8" stroke  
 16 gauge face material - over 24" high - over 8" stroke

Lead free continous solder inside face

Stainless steel strap (see detail DW)  
 Location and quantity varies

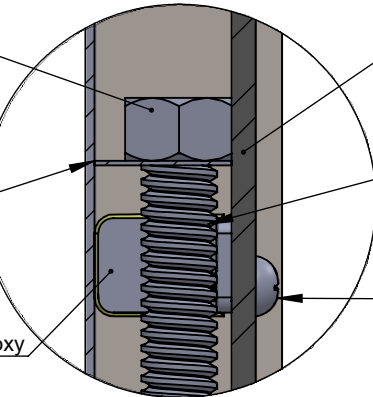


ISOMETRIC BACK VIEW II SCALE 1:3

Stainless steel Hex nut (size varies)  
 Soldered to strap

16 gauge 2B Stainless steel strap  
 Soldered to return

"L" bracket secured with high resistance epoxy



DETAIL DW II SCALE 1:1

Removable clear or light diffused Lexan or stainless steel back.  
 Requires tie back (not included)

Stainless steel mounting stud (size varies)

Stainless steel pan-head screw to secure back (see note)

Spacer sleeve  
 Optional (size varies)

Removable metal back shown (see detail DW)

1/4-20 stud 12" to 18" high letters  
 3/8-16 stud over 18" high letters

NOTES:

- Metal back - panhead slightly recessed
- Lexan back - flush stainless steel screw

BACK OPTIONS

- Clear Lexan: 12-24" high - 0.118 thick, over 24" - 0.236" thick
- Light diffused Lexan: 0.177" thick
- Stainless steel - same gauge as face

MATERIAL OPTIONS

- Standard - 304 prefinished stainless steel
- Optional - 316 prefinished stainless steel (more corrosion resistant)
- 304 prefinished stainless with titanium coating



TITLE:

**METAL FACE WITH BACK - ENGINEERED STUD MOUNT**

MATERIAL:

**STAINLESS STEEL**

PRODUCT TYPE:

**FABRICATED METAL**