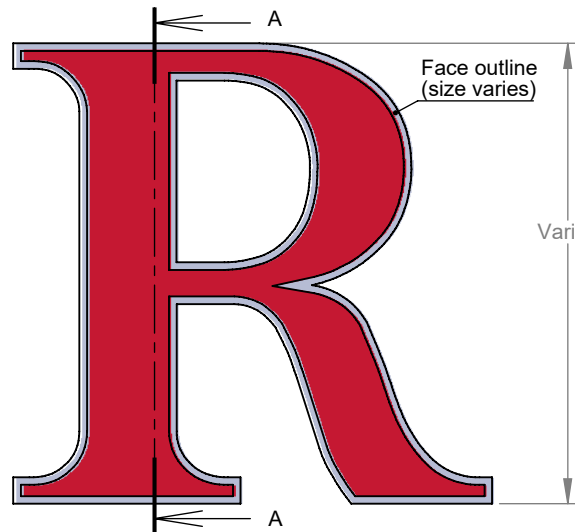
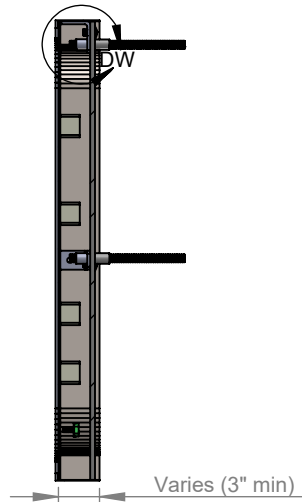


PRODUCT CONSTRUCTION EXAMPLE



FRONT VIEW II SCALE 1:5



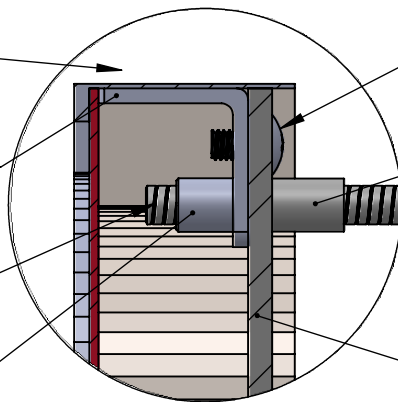
SECTION VIEW A-A II SCALE 1:5

Truss head screw secures can

"L" bracket secured to return with truss head screw (size varies)

Stainless steel Mounting Stud Size varies (see table)

Threaded Stud Boss Size varies by bracket



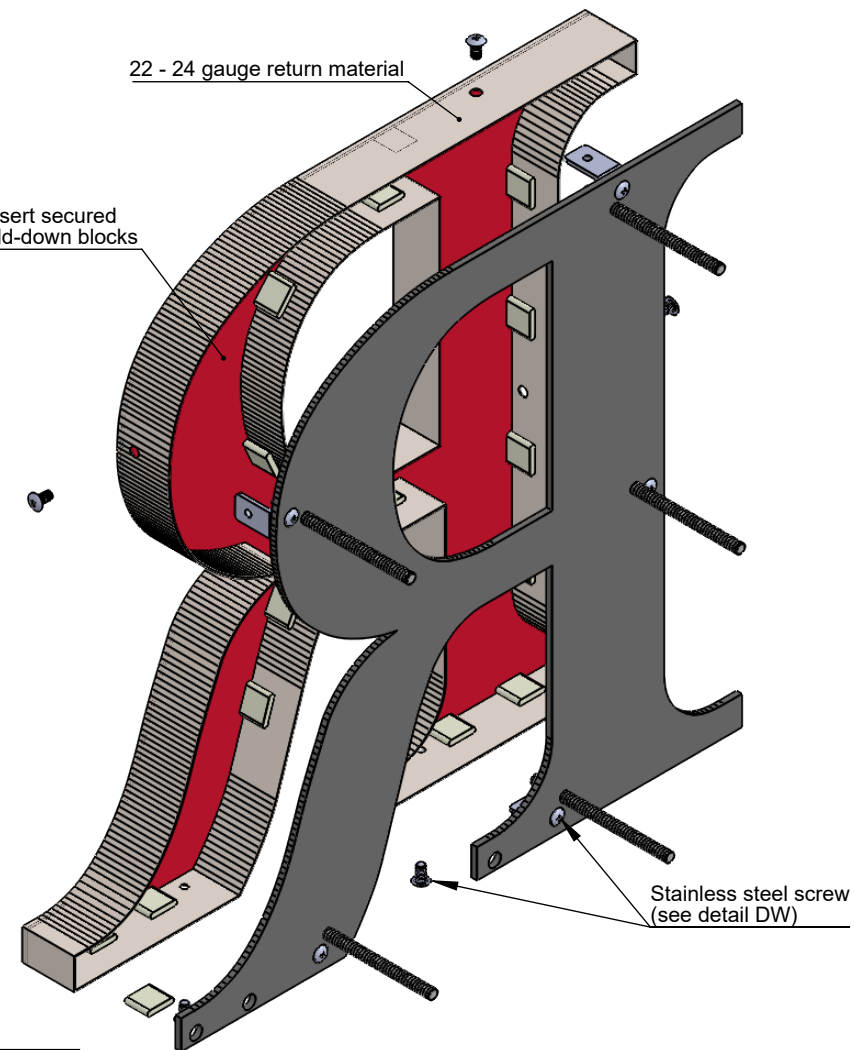
DETAIL DW II SCALE 1:1

Back secured with stainless steel pan-head screw

Optional spacer sleeve (Size varies)

Removable clear or light diffused Lexan or stainless steel back.

LETTER SIZE	MIN. DEPTH	STUD	BRACKET
up to 6"	0.6"	6 - 32	Small
over 6" to 24"	1.0"	10 - 24	Medium
over 24" to 36"	1.75"	1/4 - 20	Large



ISOMETRIC BACK VIEW II SCALE 1:3

Notes:
 - Metal back - Pan-head slightly recessed
 - Lexan back - Flush stainless steel screw

INSERT OPTIONS	
Stainless steel	18-20 gauge up to 24" high
Stainless steel	16-18 gauge over 24" to 36" high
Acrylic	3/16" thick - up to 36" high

MATERIAL OPTIONS

- Standard - 304 prefinished stainless steel
- Optional - 316 prefinished stainless steel (more corrosion resistant)
- 304 prefinished stainless with titanium coating



TITLE:

CUT OUT FACE WITH INSERT - WITH BACK FOR LEDS - REMOVABLE CAN MOUNT

MATERIAL:

STAINLESS STEEL

PRODUCT TYPE:

FABRICATED METAL