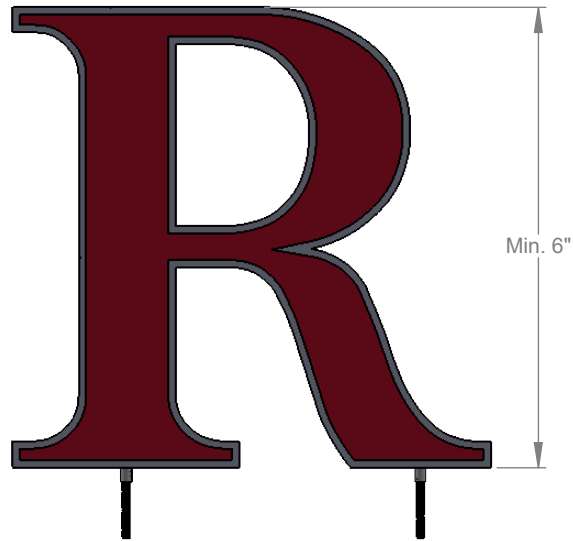
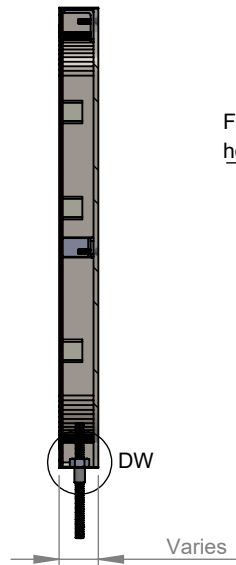


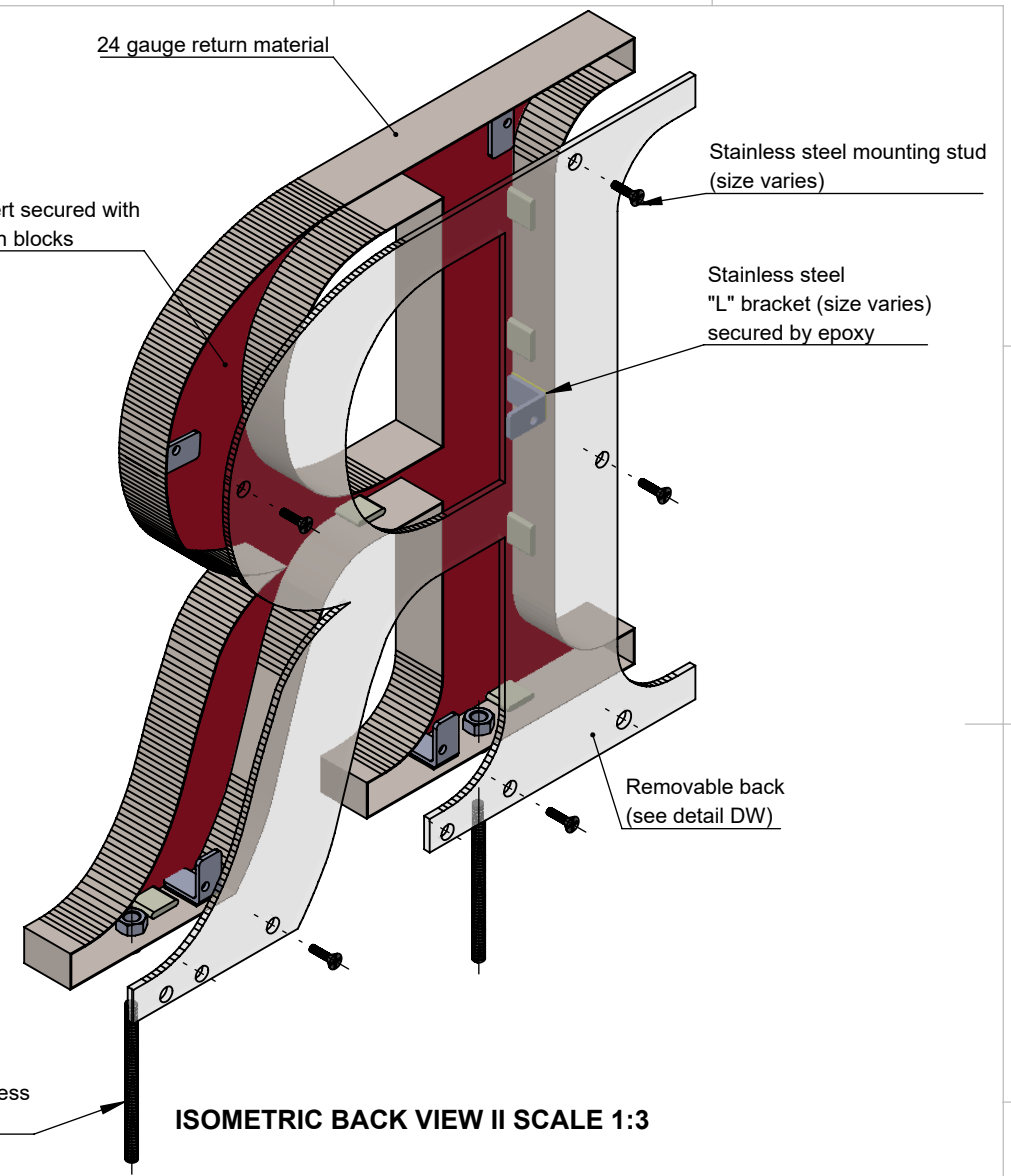
PRODUCT CONSTRUCTION EXAMPLE



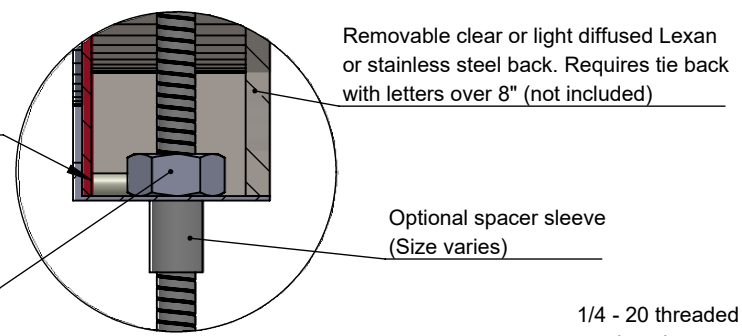
FRONT VIEW II SCALE 1:5



SECTION A-A II SCALE 1:5



ISOMETRIC BACK VIEW II SCALE 1:3



DETAIL DW II SCALE 1 : 1

**NOTES:**  
 - Tie backs required (not supplied) on letters > 8" high

**BACK OPTIONS**

- Clear Lexan: 6-12" high - 0.118 thick.
- Light diffused Lexan: 0.177" thick
- Stainless steel - same gauge as face

**MATERIAL OPTIONS**

- Standard - 304 prefinished stainless steel
- Optional - 316 prefinished stainless steel (more corrosion resistant)
- 304 prefinished stainless with titanium coating

INSERT OPTIONS	
Stainless steel	18-20 gauge up to 24" high
Acrylic	3/16" thick - up to 36" high



TITLE: **CUT OUT FACE WITH INSERT - WITH BACK FOR LEDS - BOTTOM STUD MOUNT**

MATERIAL: **STAINLESS STEEL**

PRODUCT TYPE: **FABRICATED METAL**