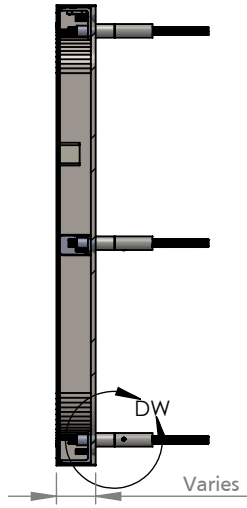


FRONT VIEW II SCALE 1:5



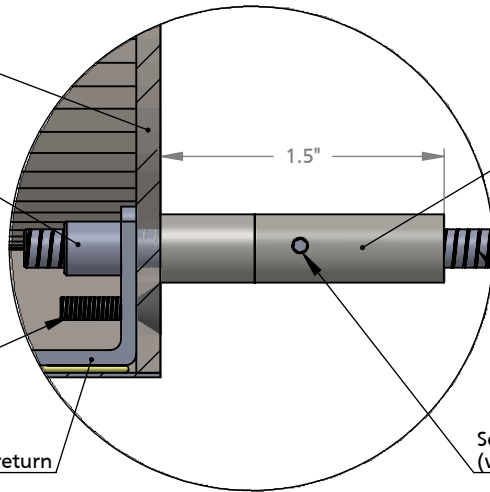
SECTION A-A II SCALE 1:5

Removable clear or light diffused Lexan or stainless steel back.

Threaded Stud Boss
Size varies by bracket

Flush back secured with stainless steel screw

"L" bracket secured with high resistance epoxy to return



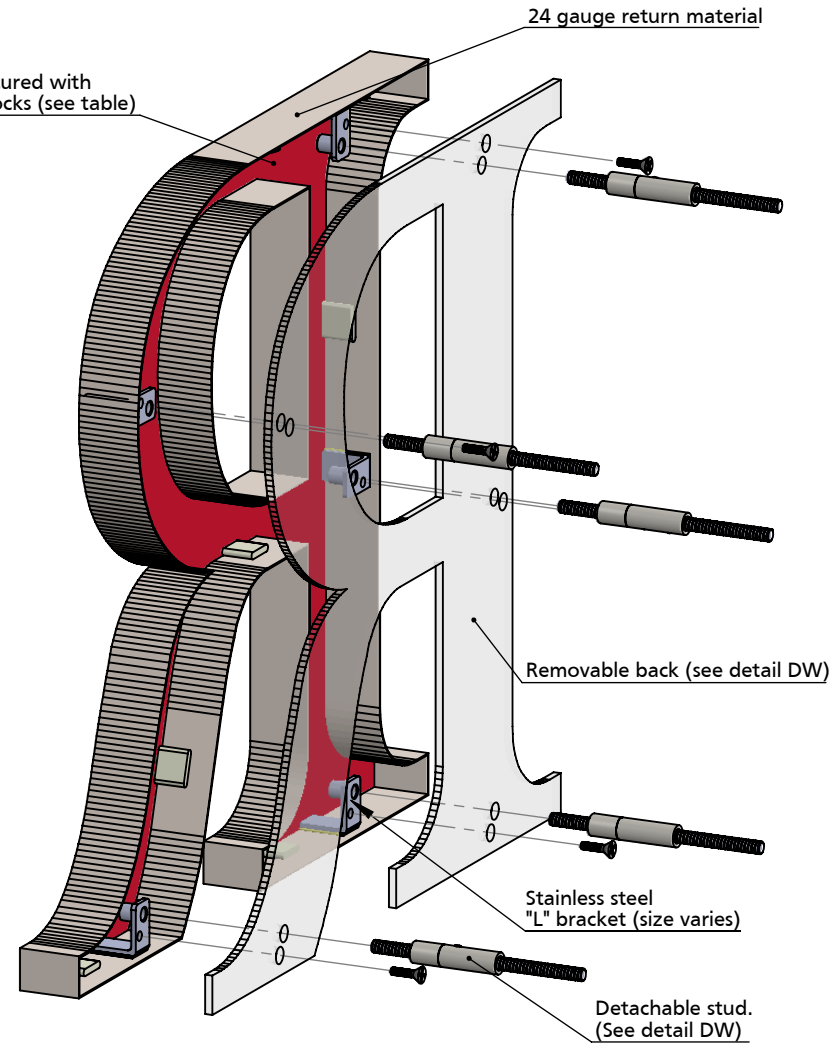
DETAIL DW II SCALE 1:1

Clear anodized aluminum detachable stud.

Stainless steel Mounting Stud
Size varies (see table)

Set screw loosened with Allen wrench (wrench included)

Face insert secured with hold-down blocks (see table)



ISOMETRIC BACK VIEW II SCALE 1:3

BACK OPTIONS

- Clear Lexan: 6-12" high - 0.118 thick.

- Light diffused Lexan: 0.177" thick

- Stainless steel - same gauge as face (optional: 1/8" thick metal back)

INSERT OPTIONS	
Stainless steel	18-20 gauge up to 24" high 16-18 gauge over 24" to 36" high
Acrylic	3/16" thick - up to 36" high

MATERIAL OPTIONS

Standard - 304 prefinished stainless steel
Optional - 316 prefinished stainless steel (more corrosion resistant)
- 304 prefinished stainless with titanium coating



TITLE:

**CUT OUT FACE WITH INSERT - BACK
DETACHABLE STUD**

MATERIAL:

STAINLESS STEEL

PRODUCT TYPE:

FABRICATED METAL