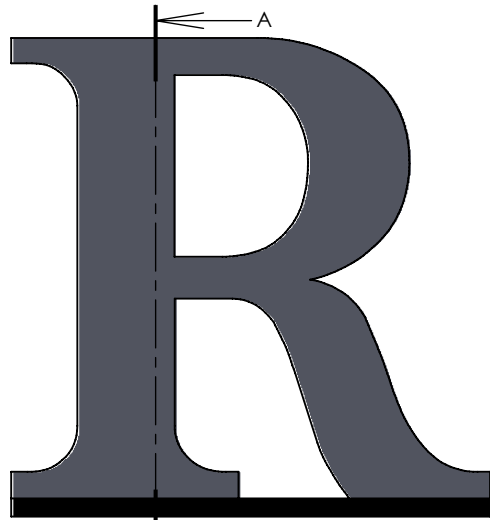
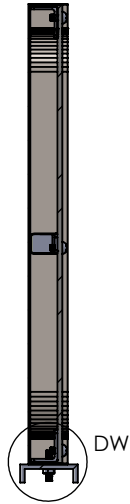


PRODUCT CONSTRUCTION EXAMPLE

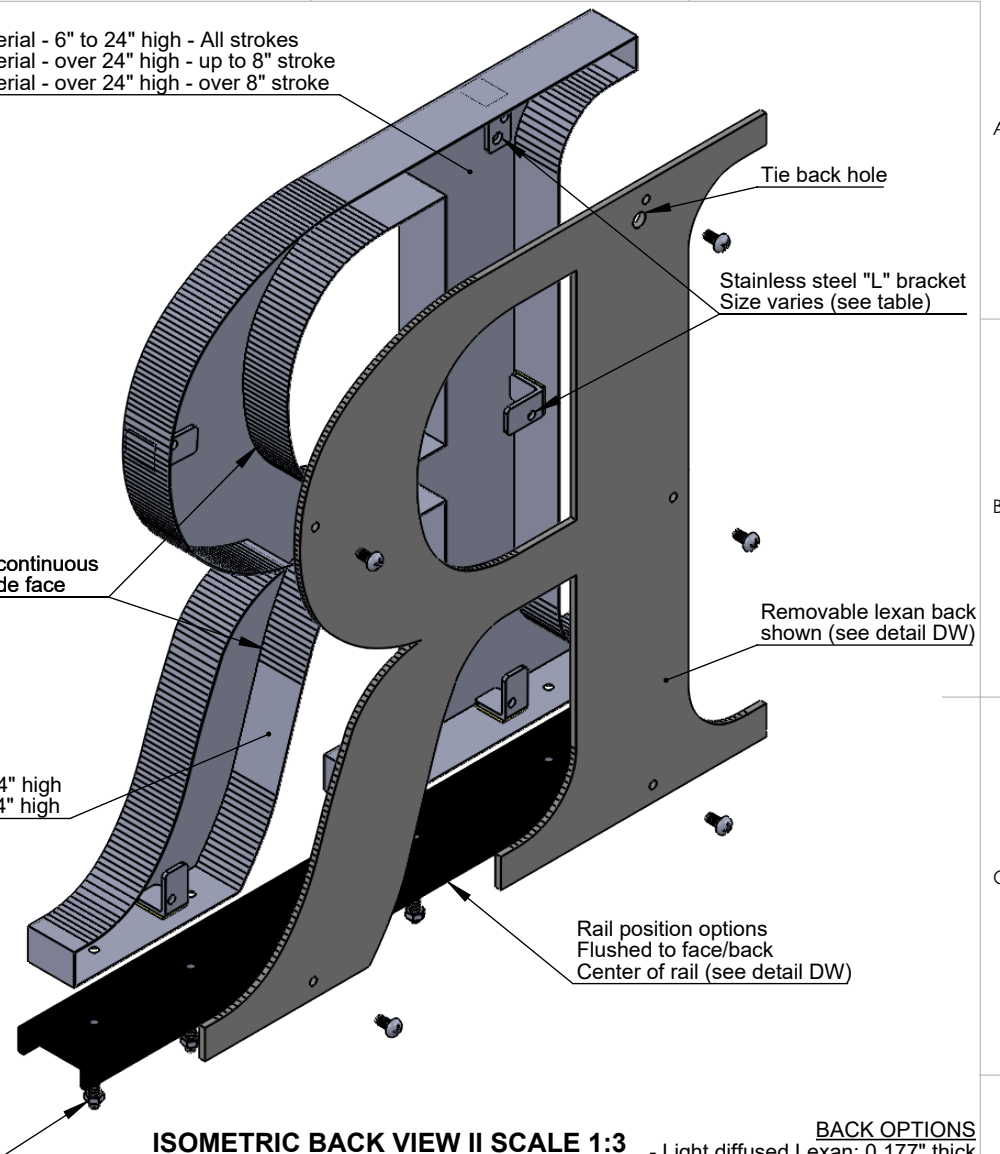


FRONT VIEW II SCALE 1:5



SECTION A-A II SCALE 1:5

18 gauge face material - 6" to 24" high - All strokes
 18 gauge face material - over 24" high - up to 8" stroke
 16 gauge face material - over 24" high - over 8" stroke



ISOMETRIC BACK VIEW II SCALE 1:3

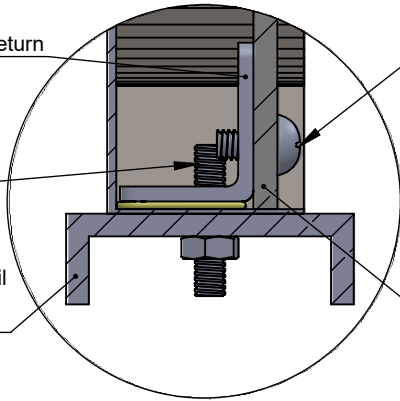
BACK OPTIONS

- Light diffused Lexan: 0.177" thick
 - Stainless steel - same gauge as face
 - Clear Lexan: 6-24" high - 0.118 thick, over 24" - 0.236" thick

"L" bracket secured with high resistance epoxy to return

Stainless steel studs with hex nuts

C-Shape painted aluminum rail 1" deep x 2" or 3" wide or 1/2" deep x 1" or 1 1/2" wide



DETAIL DW II SCALE 1:1

Stainless steel pan-head screw secures back

24 gauge return material - 6" to 24" high
 22 gauge return material - over 24" high

Removable clear or light diffused Lexan or stainless steel back. Requires tie back with letters over 8" (not included)

Stud with hex nut (see detail DW)

NOTES:

- Metal back - panhead slightly recessed
- Lexan back - flush stainless steel screw

LETTER SIZE	MIN. DEPTH	STUD	BRACKET
up to 6"	0.6"	6/32	Small
over 6" to 24"	1.0"	10/24	Medium
over 24"	1.75"	1/4 - 20	Large

MATERIAL OPTIONS

- Standard - 304 prefinished stainless steel
- Optional - 316 prefinished stainless steel (more corrosion resistant)
- 304 prefinished stainless with titanium coating



TITLE:

METAL FACE WITH BACK - BOTTOM RAIL MOUNT

MATERIAL:

STAINLESS STEEL

PRODUCT TYPE:

FABRICATED METAL

DWG NO. FABL100

REV 11/21/16

SCALE: AS INDICATED

SHEET 1 OF 1