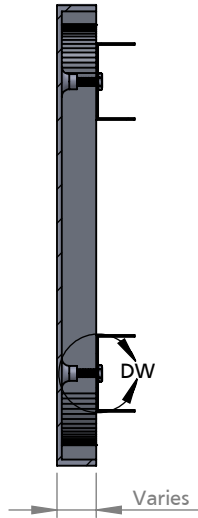
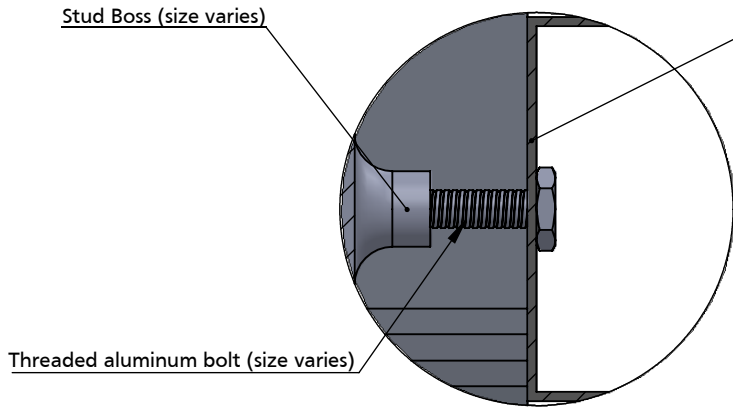


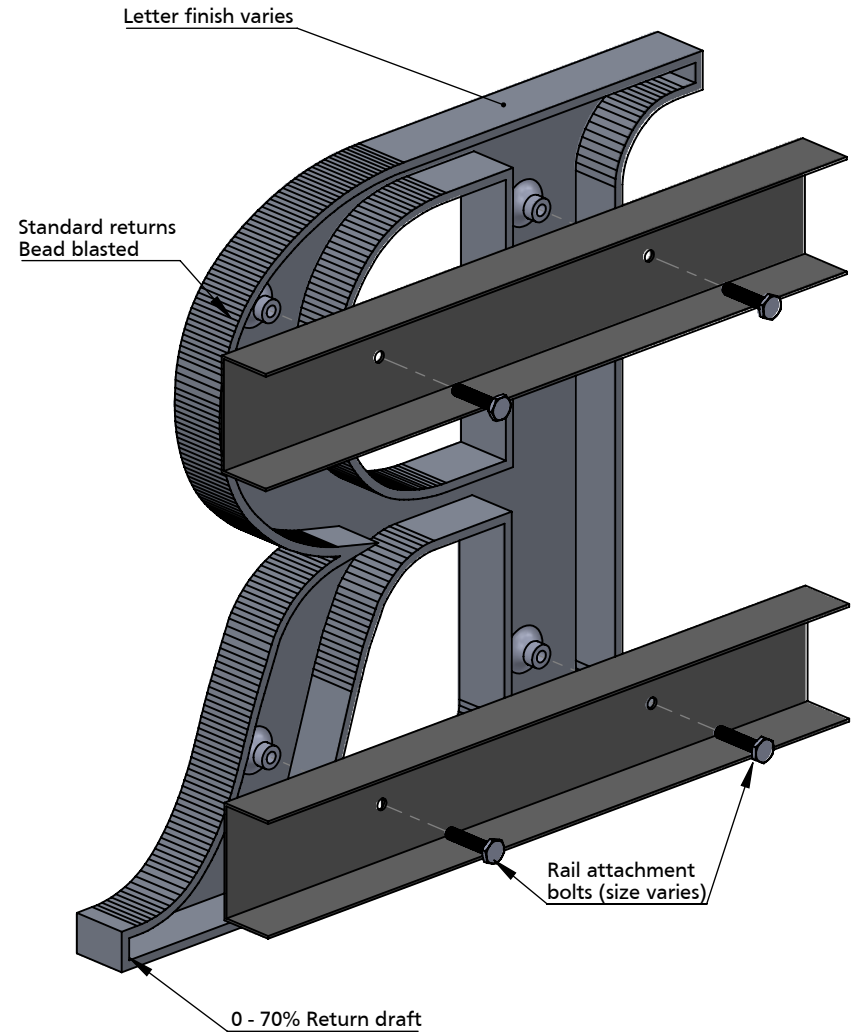
BACK VIEW II SCALE 1:5



SECTION VIEW A-A II SCALE 1:5



DETAIL DW II SCALE 1:1



ISOMETRIC BACK VIEW II SCALE 1:3



NOTE: Letters are mounted by word. Maximum 96" length

TITLE: CAST METAL DOUBLE RAIL MOUNT			
MATERIAL: ALUMINUM OR BRONZE		PRODUCT TYPE: CAST METAL	
DWG NO. CAST40	REV 11/14/14	SCALE: AS INDICATED	SHEET 1 OF 1