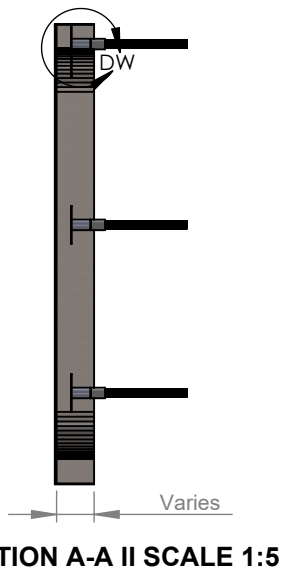
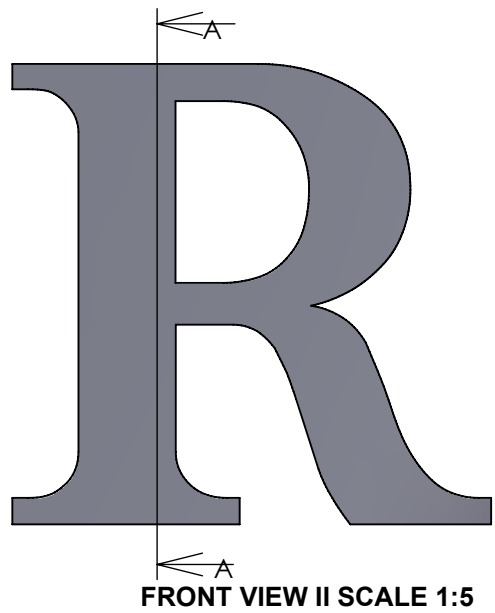
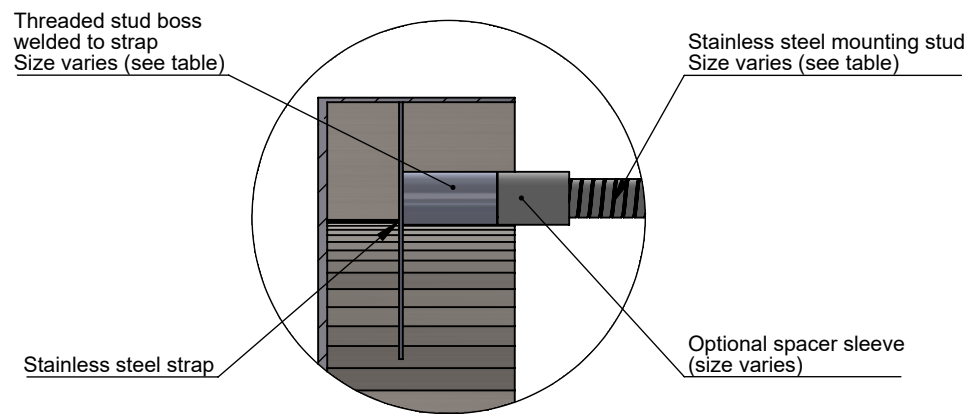
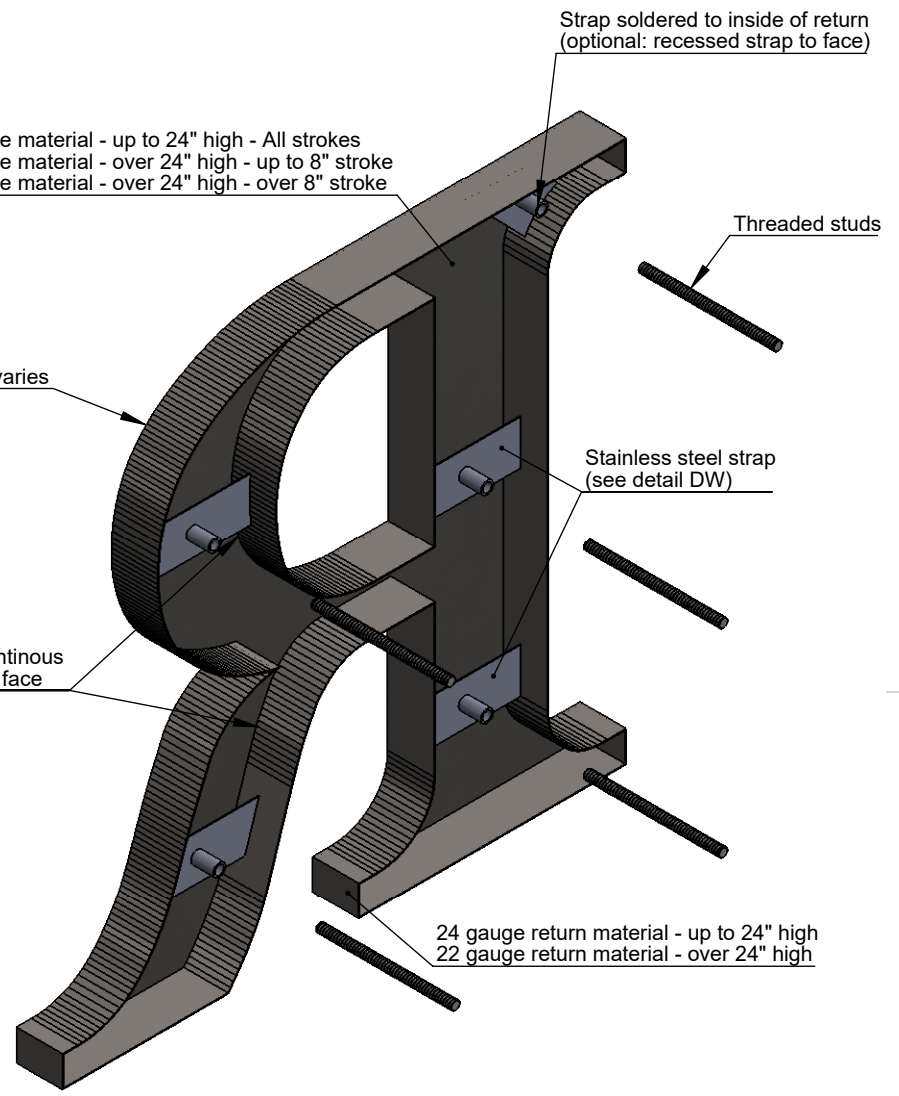


PRODUCT CONSTRUCTION EXAMPLE



18 gauge face material - up to 24" high - All strokes
 18 gauge face material - over 24" high - up to 8" stroke
 16 gauge face material - over 24" high - over 8" stroke



LETTER SIZE	STUD BOSS
6" to 24"	10 -24
over 24"	1/4 - 20

NOTES:
 - Min. 3/8" stroke
 - 2"- 4" high, return grain will be in long direction

MATERIAL OPTIONS
 Standard - 304 prefinished stainless steel
 Optional - 316 prefinished stainless steel (more corrosion resistant)
 - 304 prefinished stainless with titanium coating



TITLE: METAL FACE NO BACK - STRAP MOUNT	
MATERIAL: STAINLESS STEEL	PRODUCT TYPE: FABRICATED METAL
DWG NO. FABL20	REV. 03/13/17
SCALE: AS INDICATED	SHEET 1 OF 1