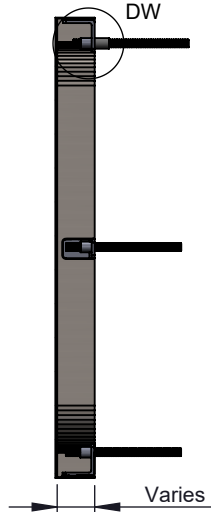


PRODUCT CONSTRUCTION EXAMPLE

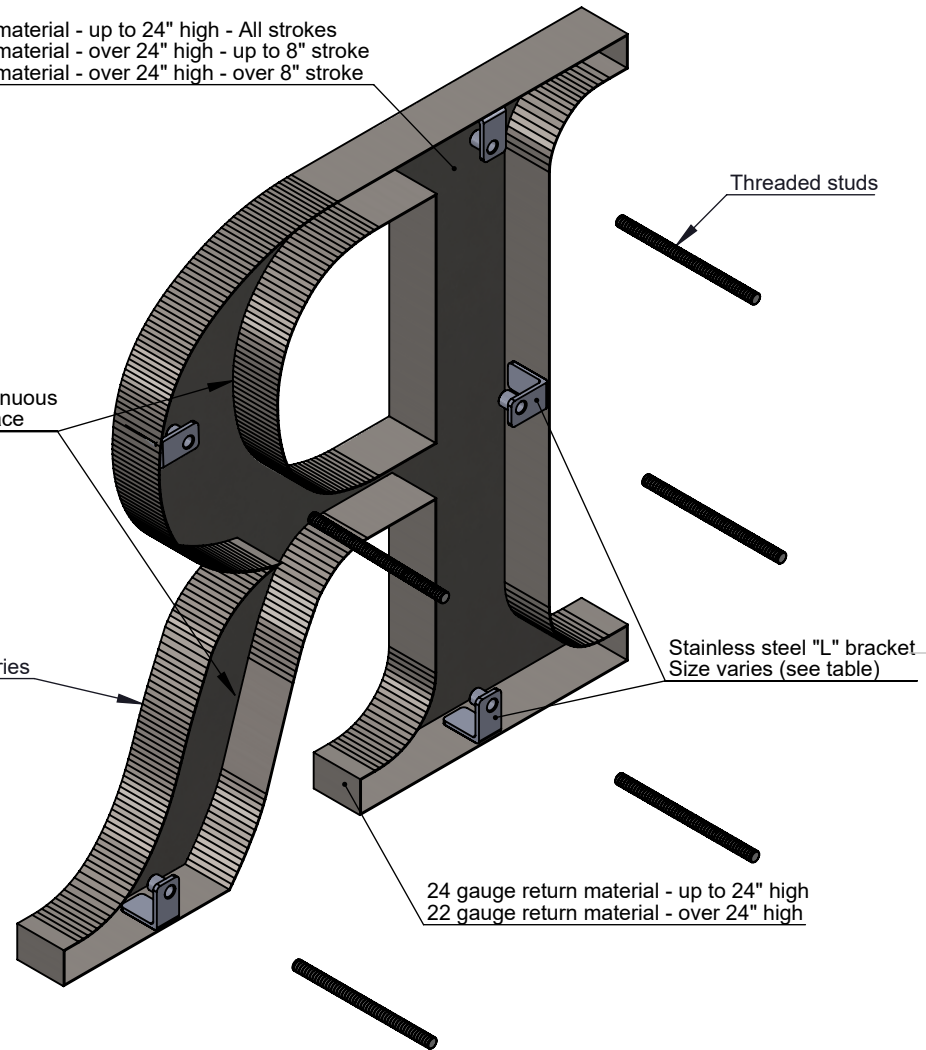


FRONT VIEW II SCALE 1:5



SECTION A-A II SCALE 1:5

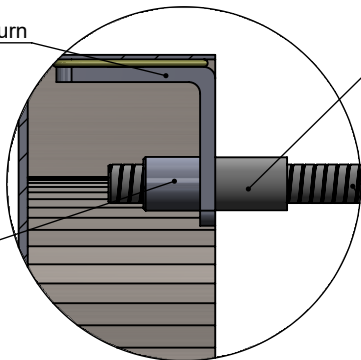
18 gauge face material - up to 24" high - All strokes
 18 gauge face material - over 24" high - up to 8" stroke
 16 gauge face material - over 24" high - over 8" stroke



ISOMETRIC BACK VIEW II SCALE 1:3

"L" bracket secured with high resistance epoxy to return

Optional spacer sleeve (Size varies)



Threaded Stud Boss Size varies by bracket

Stainless steel mounting stud Size varies (see table)

DETAIL DW II SCALE 1:1

LETTER SIZE	MIN. DEPTH AND STROKE		BRACKET	STUD
up to 8"	0.6"	15 mm	Small	6 - 32
over 8" to 24"	1.0"	25.4 mm	Medium	10 - 24
over 24"	2.0"	44.5 mm	Large	1/4 - 20

NOTES:
 - Min. 3/8" stroke
 - 2" - 4" high, return grain will be in long direction

MATERIAL OPTIONS

Standard - 304 prefinished stainless steel
 Optional - 316 prefinished stainless steel (more corrosion resistant)
 - 304 prefinished stainless with titanium coating



TITLE:

METAL FACE NO BACK - SIDE MOUNT

MATERIAL:

STAINLESS STEEL

PRODUCT TYPE:

FABRICATED METAL