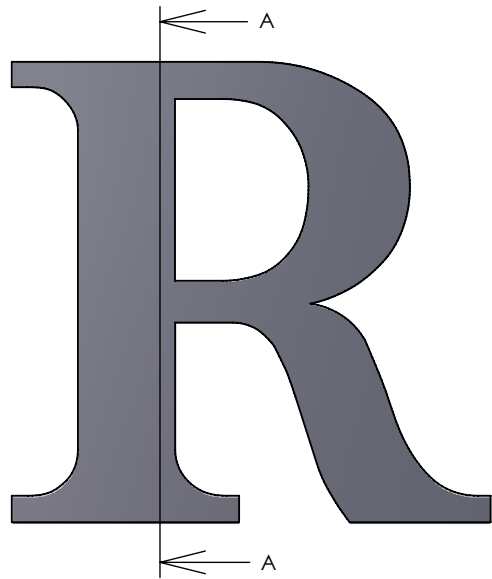
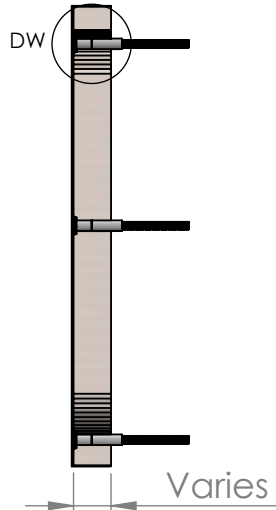


PRODUCT CONSTRUCTION EXAMPLE



FRONT VIEW II SCALE 1:5



SECTION A-A II SCALE 1:5

18 gauge face material - up to 24" high - All strokes
 18 gauge face material - over 24" high - up to 8" stroke
 16 gauge face material - over 24" high - over 8" stroke

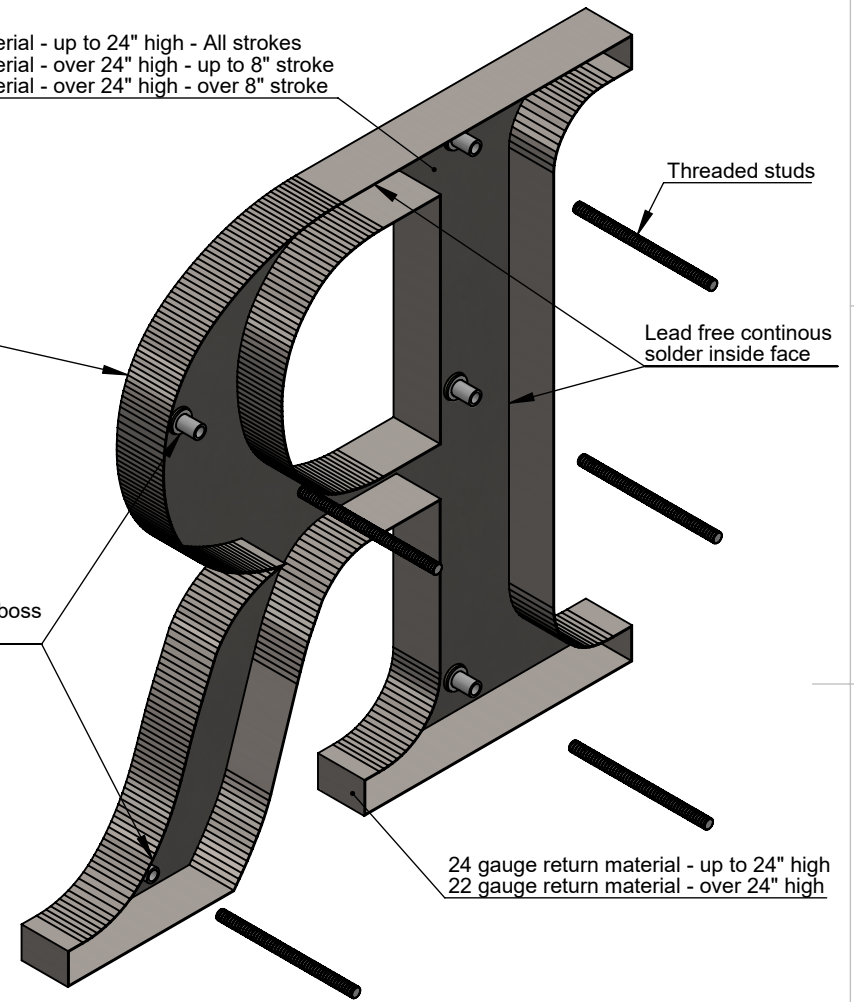
Letter finish varies

Shadow free stud boss
(see detail DW)

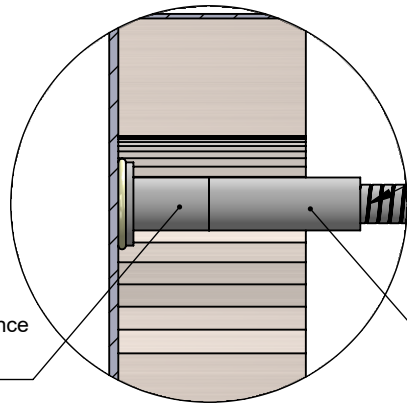
Threaded studs

Lead free continous solder inside face

24 gauge return material - up to 24" high
 22 gauge return material - over 24" high



ISOMETRIC BACK VIEW II SCALE 1:3



Shadow free stud boss
 secured with high resistance
 epoxy to back of face
 Size varies (see table)

Stainless steel
 Mounting stud
 Size varies (see table)

Optional spacer sleeve
 (size varies)

DETAIL DW II SCALE 1:1

LETTER SIZE	MIN. STROKE	PAD	STUD
up to 12"	0.75"	19mm	Small 10 - 24
over 12" to 24"	1.25"	31mm	Large 1/4 - 20

NOTES:
 - Min. 3/8" stroke
 - 2"- 4" high, return grain will be in long direction

MATERIAL OPTIONS

Standard - 304 prefinished stainless steel
 Optional - 316 prefinished stainless steel (more corrosion resistant)
 - 304 prefinished stainless with titanium coating



TITLE:

METAL FACE NO BACK - SHADOW FREE MOUNT

MATERIAL:

STAINLESS STEEL

PRODUCT TYPE:

FABRICATED METAL