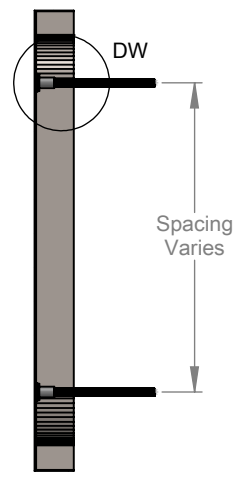
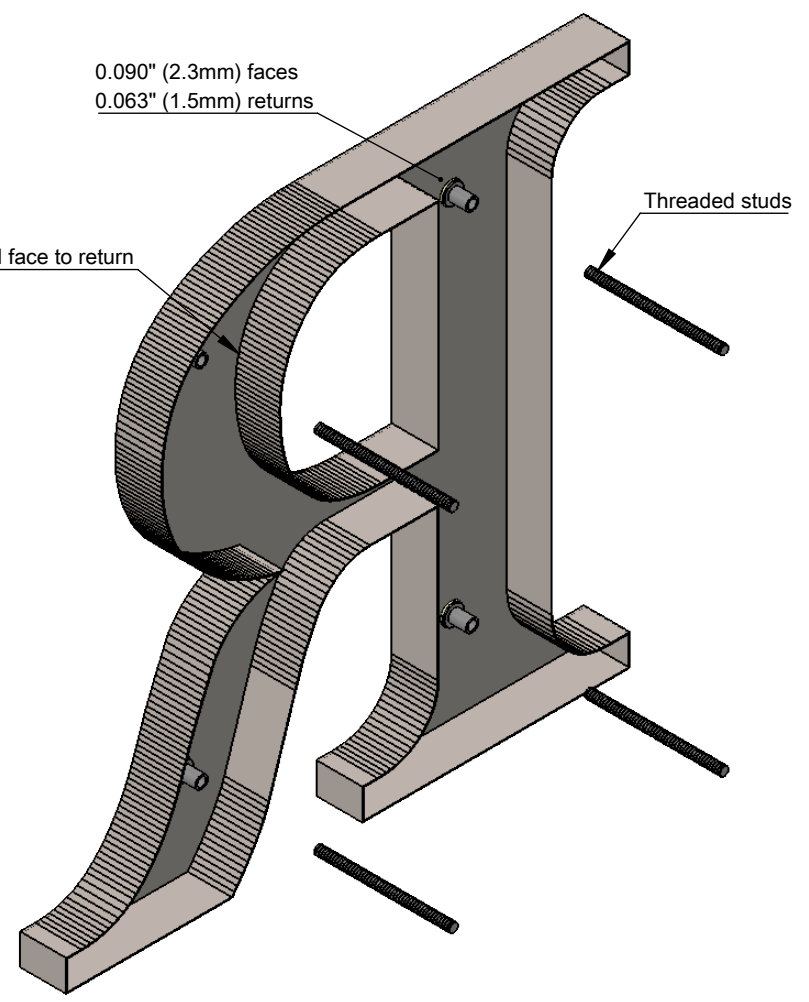


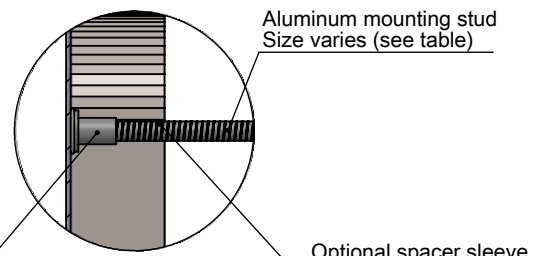
FRONT VIEW II SCALE 1:5



SECTION A-A II SCALE 1:5



ISOMETRIC BACK VIEW II SCALE 1:3



DETAIL DW II SCALE 1 : 2

Shadow free stud boss secured with high resistance epoxy to back of face  
Size varies (see table)

Aluminum mounting stud  
Size varies (see table)

Optional spacer sleeve  
(size varies)

LETTER SIZE	STUD BOSS
16" - 24"	10 - 24
over 24"	1/4 - 20

**NOTES:**  
-Return grain will run from face to back



TITLE: <b>METAL FACE NO BACK - SHADOW FREE MOUNT</b>			
MATERIAL: 5052 ALUMINUM ALLOY		PRODUCT TYPE: <b>FABRICATED METAL</b>	
DWG NO. FABA30	REV 10/31/18	SCALE: AS INDICATED	SHEET 1 OF 1