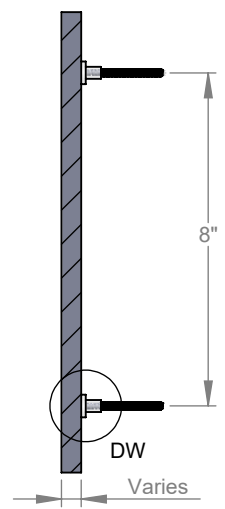
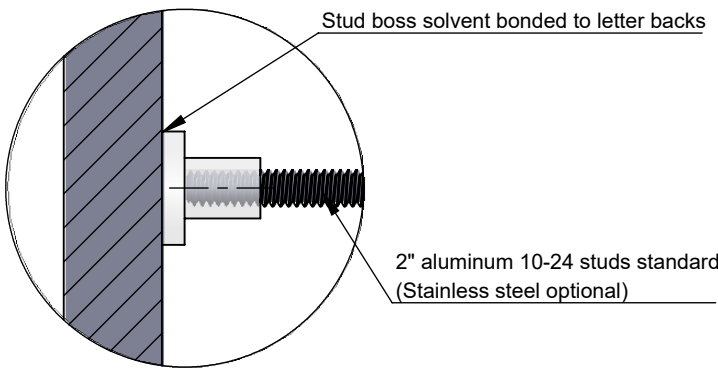


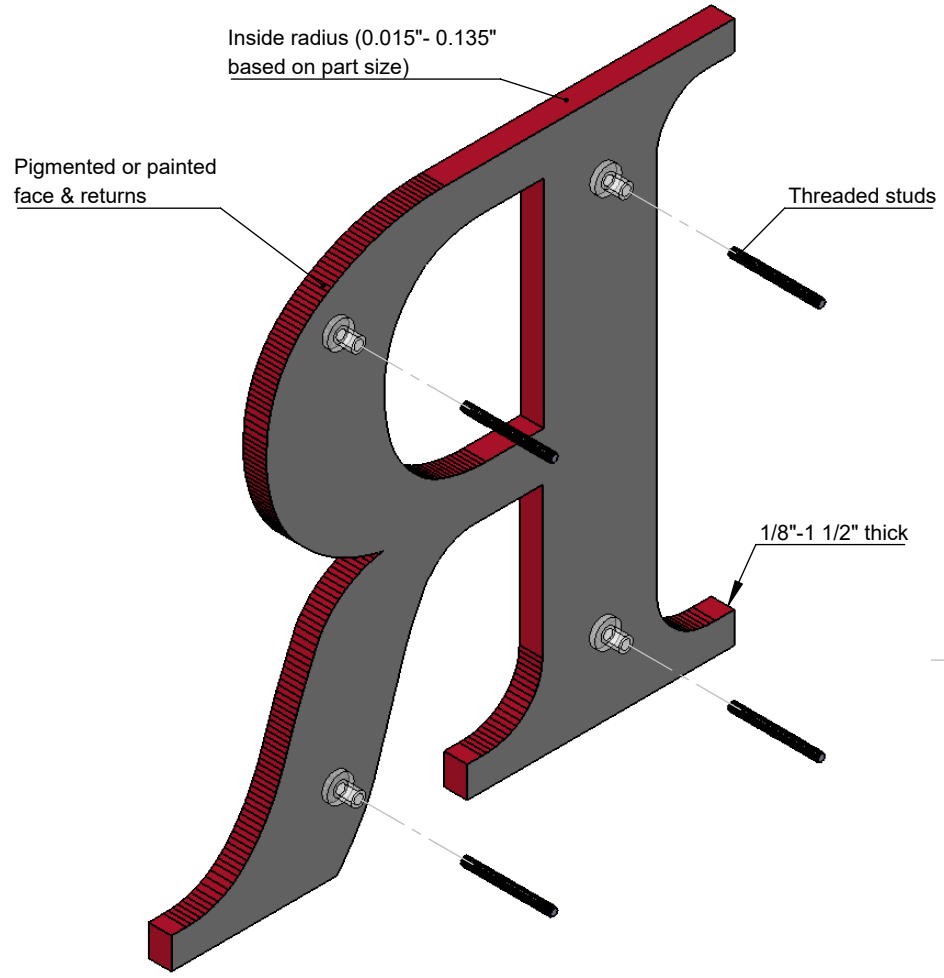
FRONT VIEW II SCALE 1 : 5



SECTION A-A II SCALE 1 : 5



DETAIL DW II SCALE 1 : 1



ISOMETRIC BACK VIEW II SCALE 1 : 3

- NOTES:**
- Designed for interior use
 - Stud blocks aligned 8" on center, in horizontal rows, to align with block mortar joints
 - Stud length 2" beyond back of letter- optional longer studs and/or spacers
 - Optional flush stud for block (min. 3/8" thick)
 - Standard Gemini letter styles or per vector art



TITLE: LASER CUT ACRYLIC - STUD FOR BLOCK MOUNT			
MATERIAL: ACRYLIC		PRODUCT TYPE: PLASTIC LETTERS	
DWG NO. LASR90	REV. 9/7/2016	SCALE: AS INDICATED	SHEET 1 OF 1