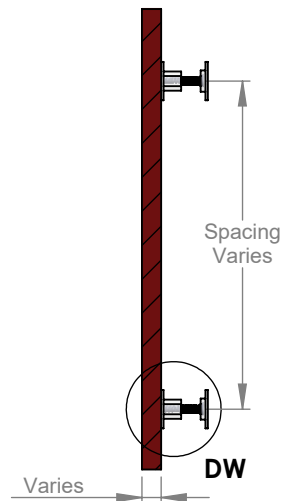
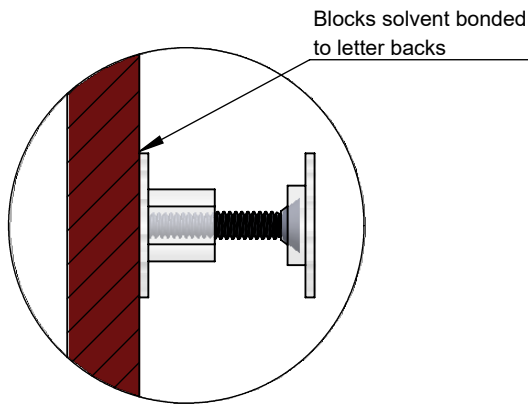


FRONT VIEW II SCALE 1 : 5



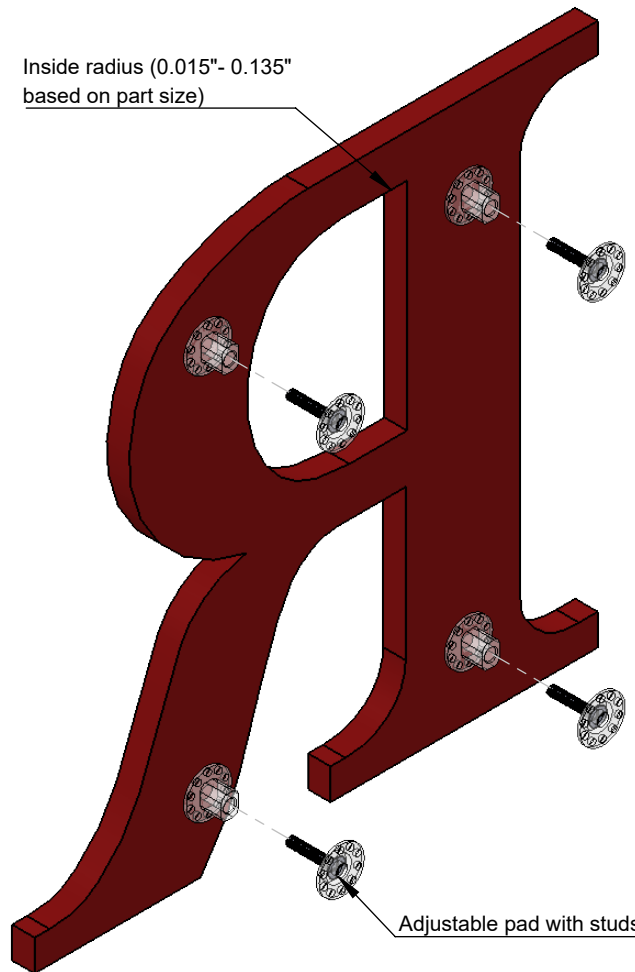
SECTION A-A SCALE 1 : 5



DETAIL DW SCALE 3 : 4

**NOTES:**

- Aluminum 10/24 studs- standard, 6/32 studs used on thin strokes
- Standard Gemini letter styles or per vector art
- Available gauges (1/8", 3/16", 1/4", 3/8", 1/2", 3/4", 1", and 1 1/2" thick)
- Pigmented or sprayed with acrylic polyurethane paint
- Min. 0.30" stroke



ISOMETRIC BACK VIEW II SCALE 1 : 3

TITLE:

**LASER CUT ACRYLIC - ADJUSTABLE PAD MOUNT**

MATERIAL:

**IMPACT MODIFIED  
ACRYLIC**

PRODUCT TYPE:

**PLASTIC LETTERS**

DWG NO. LASR130

REV. 9/14/2016

SCALE: AS INDICATED

SHEET 1 OF 1