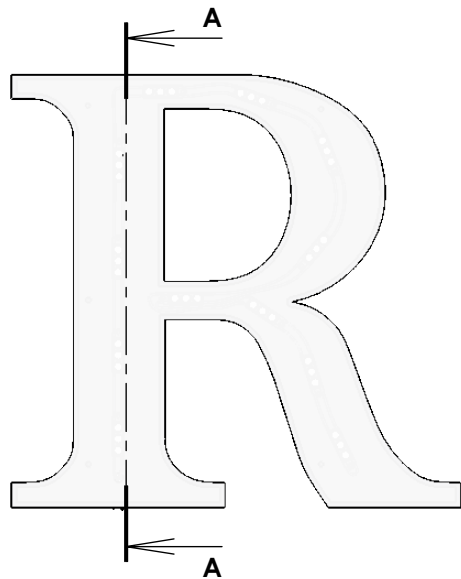
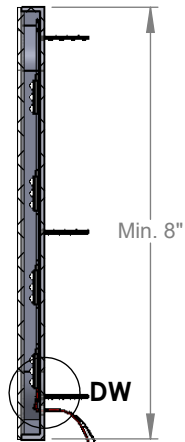


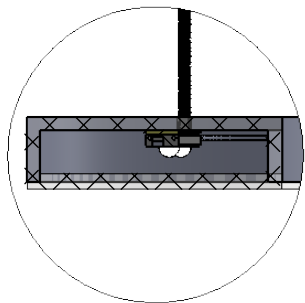
PRODUCT CONSTRUCTION EXAMPLE



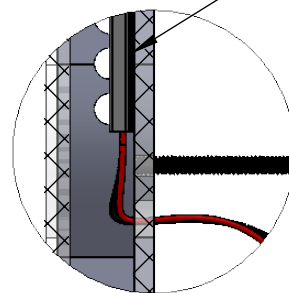
FRONT VIEW II SCALE 1:8



SECTION A-A SCALE 1:8

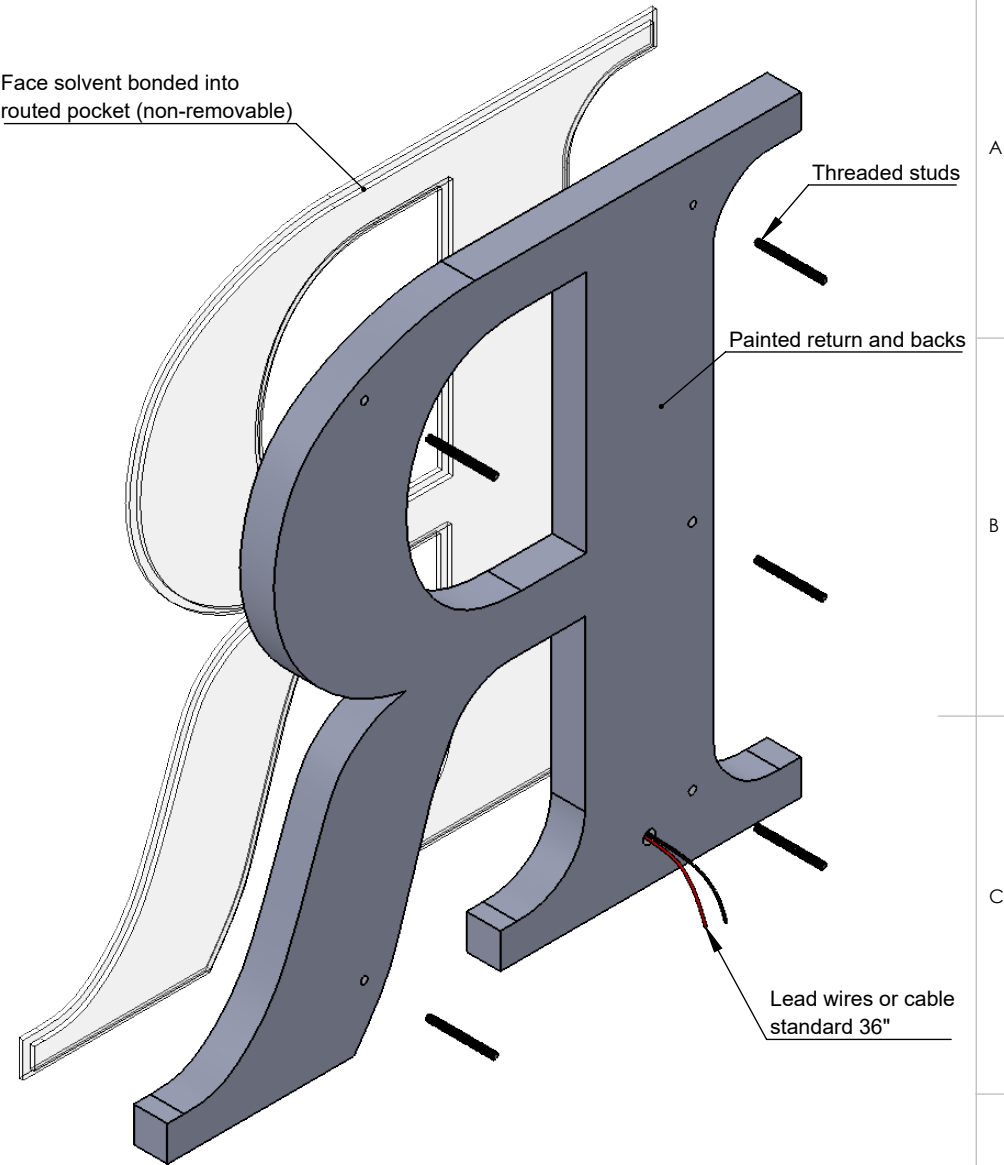


DETAIL DW SCALE 1 : 3



DETAIL DW SCALE 1 : 2

Face solvent bonded into routed pocket (non-removable)



ISOMETRIC BACK VIEW II SCALE 1 : 4

NOTES:

- Precision cut face lit acrylic letters
- Back and returns painted optional opaque colors
- Backs drilled and tapped to receive threaded aluminum 10-24 studs
- UL listed with sign section labels, LED's, lead wires/cables, and 12 VDC power supply
- 3/16" thick translucent acrylic face, solvent bonded to face of base (non-removable)
- 1 1/2" thick acrylic base - clear or translucent white. Routed inside with 1/8" - 1/4" sidewalls.
- LED's bonded to inside of letter base
- 8" - 24" high, 1" - 5" stroke
- Designed for interior or exterior use



TITLE:

**FACE LIT LUXE LETTERS - STUD MOUNT**

MATERIAL:

**ACRYLIC**

PRODUCT TYPE:

**PLASTIC LETTERS**

DWG NO. LUXE20

REV. 11/16/2016

SCALE: AS INDICATED

SHEET 1 OF 1