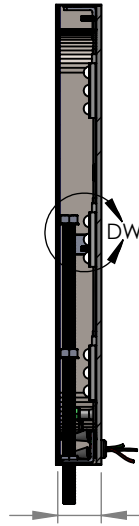


FRONT VIEW II SCALE 1:5



SECTION VIEW A-A II SCALE 1:5

24 gauge return material - 12" to 24" high
22 gauge return material - over 24" high

Face insert secured
(see detail DW)

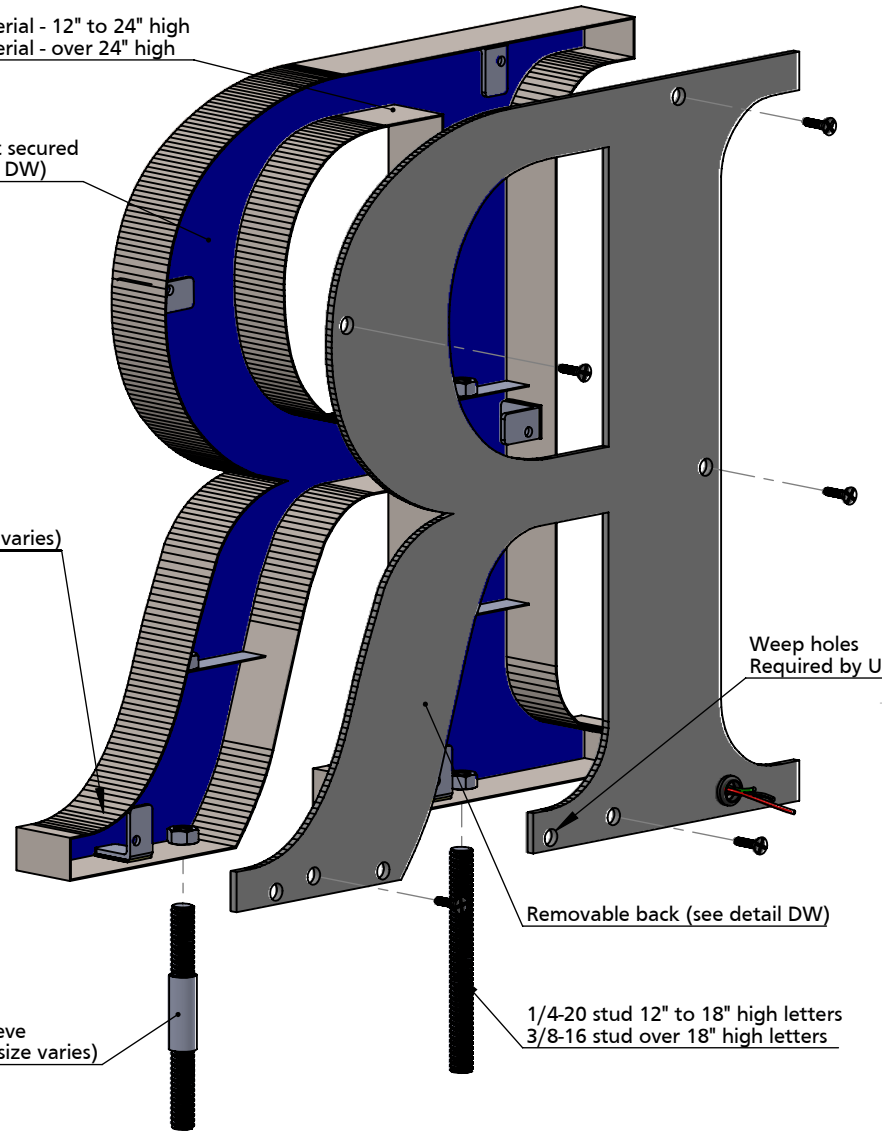
Stainless steel
"L" bracket (size varies)

Weep holes
Required by UL

Removable back (see detail DW)

Spacer sleeve
Optional (size varies)

1/4-20 stud 12" to 18" high letters
3/8-16 stud over 18" high letters



ISOMETRIC BACK VIEW II SCALE 1:3

Stainless steel
Hex nut (size varies)
Soldered to strap

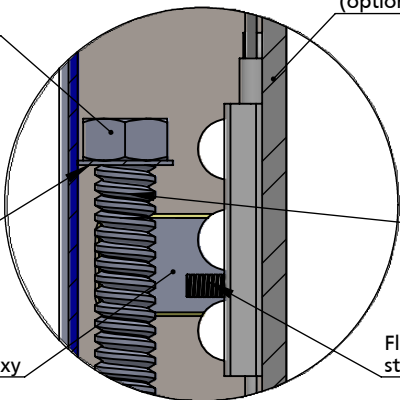
Removable stainless steel back.
(optional: 1/8" thick metal back)

16 gauge 2B
Stainless steel strap
Soldered to return

Stainless steel
mounting stud
(size varies)

"L" bracket secured
with high resistance epoxy

Flush back secured with
stainless steel screw



DETAIL DW II SCALE 1:1

INSERT OPTIONS

Stainless steel	18-20 gauge up to 24" high
	16-18 gauge over 24" to 36" high
Acrylic	3/16" thick - up to 36" high

MATERIAL OPTIONS

Standard - 304 prefinished stainless steel
Optional - 316 prefinished stainless steel (more corrosion resistant)
- 304 prefinished stainless with titanium coating



TITLE:

CUT OUT FACE WITH INSERT - BACK - LED
ENGINEERING STUD

MATERIAL:

STAINLESS STEEL

PRODUCT TYPE:

FABRICATED METAL

DWG NO. FABL240

REV 11/07/14

SCALE: AS INDICATED

SHEET 1 OF 1