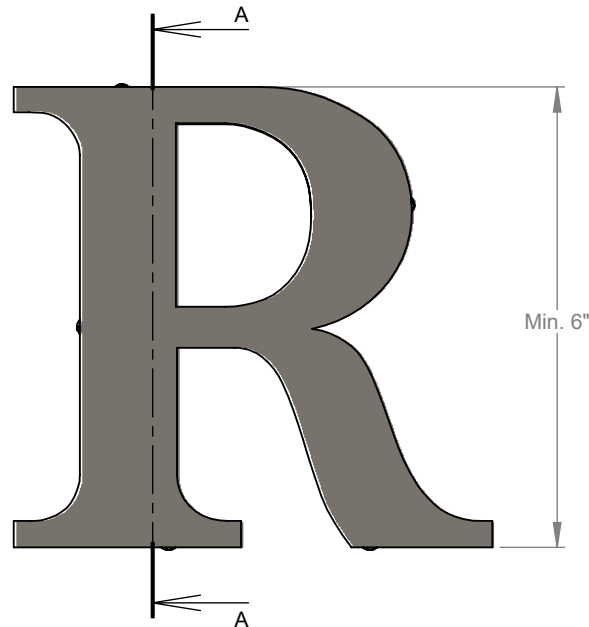
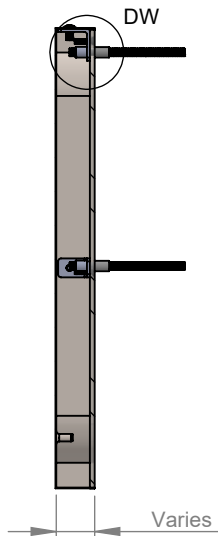


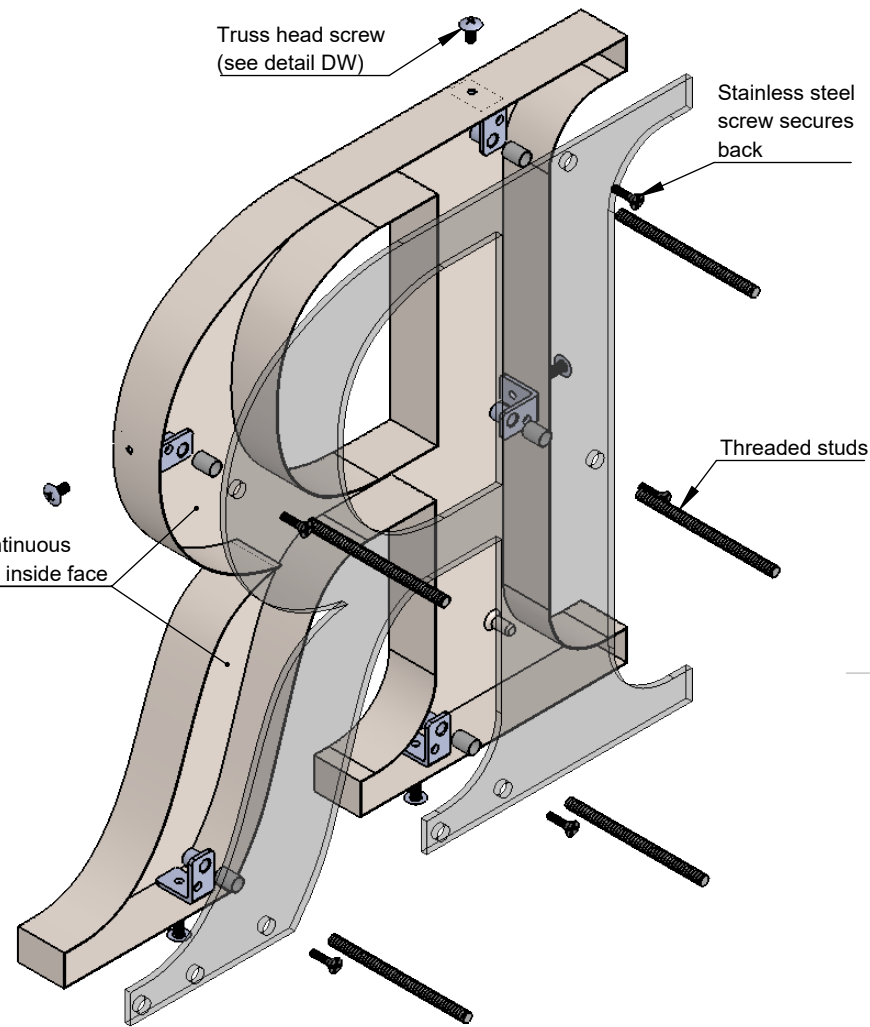
PRODUCT CONSTRUCTION EXAMPLE



FRONT VIEW II SCALE 1:5



SECTION A-A II SCALE 1:5



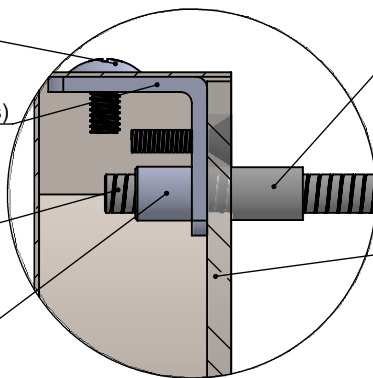
ISOMETRIC BACK VIEW II SCALE 1:5

Truss head screw secures can

"L" bracket secured to return w/truss head screw (size varies)

Stainless steel Mounting Stud Size varies

Threaded Stud Boss Size varies by bracket



DETAIL DW II SCALE 1 : 1

Optional spacer sleeve (size varies)

Removable clear or light diffused Lexan

LETTER SIZE	MIN. DEPTH	STUD	BRACKET
6" to 24"	1.0"	10 - 24	Medium
over 24"	1.75"	1/4 - 20	Large

NOTES:

- Tie backs required (not supplied) on letters > 8" high

BACK OPTIONS

- Clear Lexan: 6-24" high - 0.118 thick, over 24" - 0.236" thick

- Light diffused Lexan: 0.177" thick

MATERIAL OPTIONS

Standard - 304 prefinished stainless steel

Optional - 316 prefinished stainless steel (more corrosion resistant)

- 304 prefinished stainless with titanium coating



TITLE:

METAL FACE - WITH BACK FOR LEDS  
REMOVABLE CAN MOUNT

MATERIAL:

STAINLESS STEEL

PRODUCT TYPE:

FABRICATED METAL