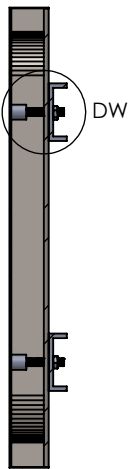


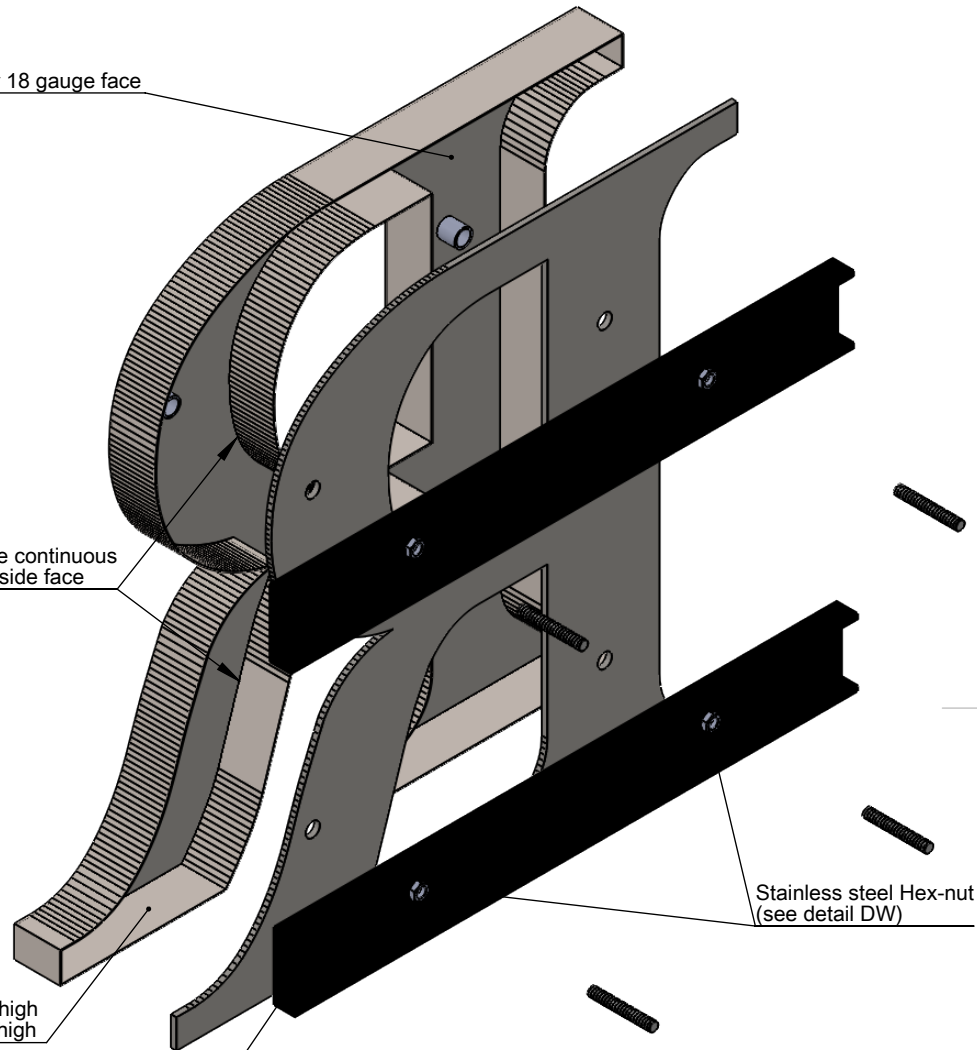
FRONT VIEW II SCALE 1:5



SECTION A-A II SCALE 1:5

16 or 18 gauge face

Lead free continuous solder inside face



ISOMETRIC BACK VIEW II SCALE 1:3

Stainless steel Hex-nut (see detail DW)

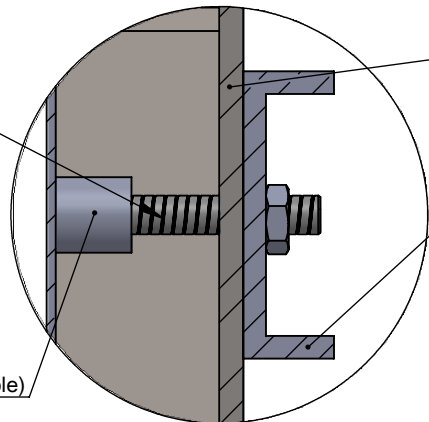
Rail position options
Flushed to ends. Extended rails

Removable clear or light diffused Lexan or stainless steel back.

C-Shape aluminum painted rail
1" deep x 2" or 3" wide or
1/2" deep x 1" or 1 1/2" wide

24 gauge return material - 4" to 24" high
22 gauge return material - over 24" high

Stainless steel Mounting stud
Size varies (see table)



DETAIL DW II SCALE 1:1

Stud boss size varies (See table)

LETTER SIZE	MIN. DEPTH AND STROKE	STUD BOSS	STUD
4" to 6"	0.6" 15 mm	Small	6 - 32
over 6" to 24"	1.0" 25.4 mm	Medium	10 - 24
over 24"	1.75" 44.5 mm	Large	1/4 - 20

MATERIAL OPTIONS
 Standard - 304 prefinished stainless steel
 Optional - 316 prefinished stainless steel (more corrosion resistant)
 - 304 prefinished stainless with titanium coating

Note:
 - Return grain will run around the perimeter of the letter

BACK OPTIONS

- Light diffused Lexan: 0.177" thick
- Stainless steel - same gauge as face
- Clear Lexan: 4-24" high - 0.118 thick, over 24" - 0.236" thick



TITLE:
METAL FACE WITH BACK - DOUBLE RAIL MOUNT

MATERIAL:
STAINLESS STEEL

PRODUCT TYPE:
FABRICATED METAL