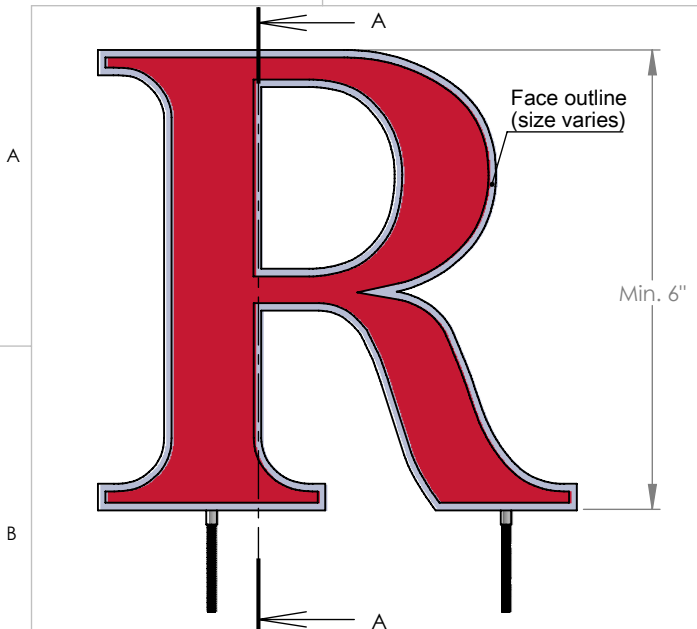
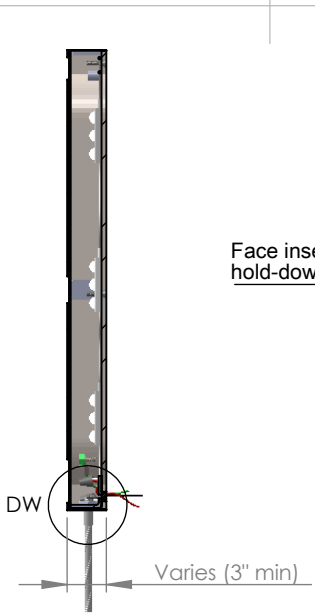


PRODUCT CONSTRUCTION EXAMPLE

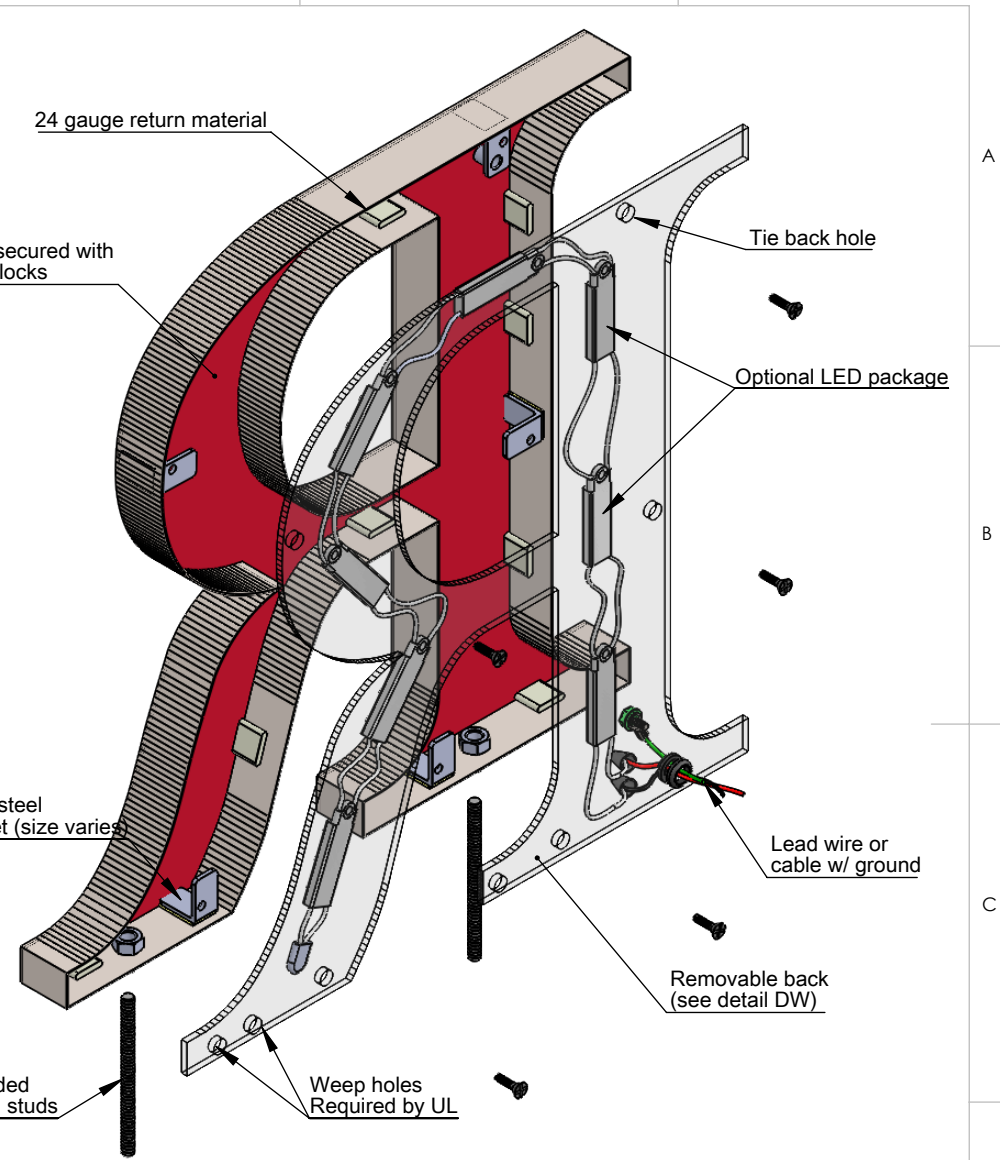
1 2 3 4 5 6



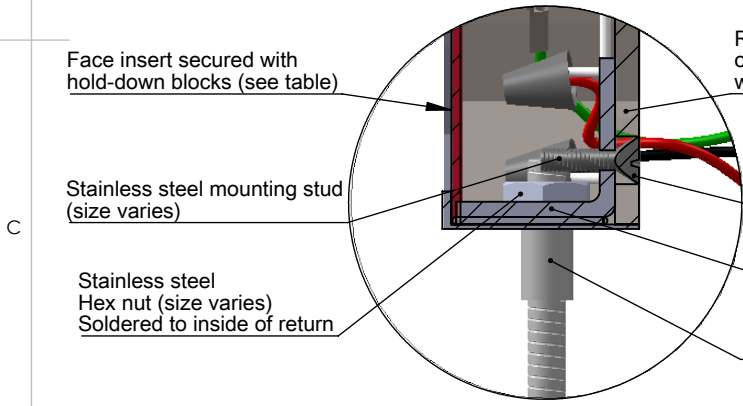
FRONT VIEW II SCALE 1:5



SECTION A-A II SCALE 1:5



ISOMETRIC BACK VIEW II SCALE 1:3



DETAIL DW II SCALE 1:1

- NOTES:**
- Minimum 1" stroke for LEDs, min. 2" deep
 - Lead wires or optional cable wire available
 - Optional: UL listed - LED halo lit package shown
 - Tie backs required (not supplied) on letters > 8" high
 - Return grain will run around the perimeter of the letter

- BACK OPTIONS**
- Clear Lexan: 6-12" high - 0.118 thick, over 24" - 0.236" thick
 - Light diffused Lexan: 0.177" thick
 - Stainless steel - same gauge as face

- MATERIAL OPTIONS**
- Standard - 304 prefinished stainless steel
 - Optional - 316 prefinished stainless steel (more corrosion resistant)
 - 304 prefinished stainless with titanium coating

INSERT OPTIONS	
Stainless steel	18-20 gauge up to 24" high
Acrylic	3/16" thick - up to 36" high



TITLE: FACE LIT - WITH LEDS - BOTTOM STUD	
MATERIAL: STAINLESS STEEL	PRODUCT TYPE: FABRICATED METAL