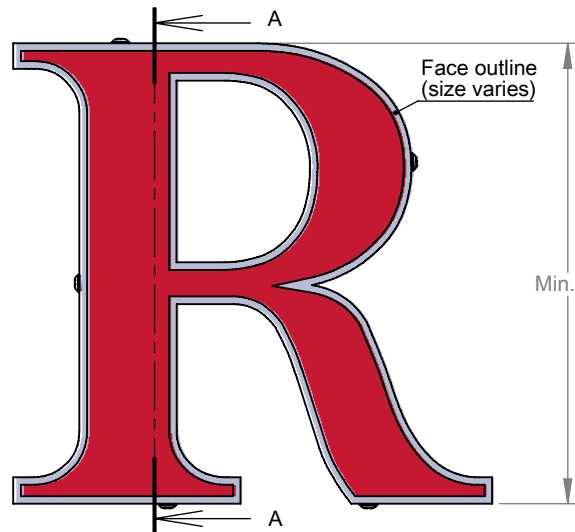
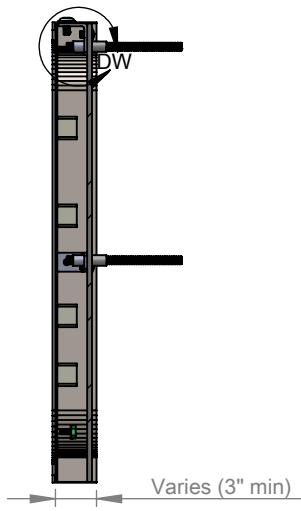


PRODUCT CONSTRUCTION EXAMPLE



FRONT VIEW II SCALE 1:5



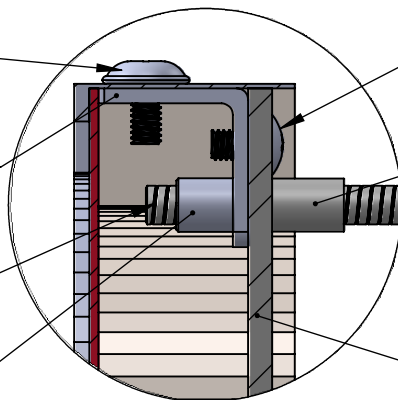
SECTION VIEW A-A II SCALE 1:5

Truss head screw secures can

"L" bracket secured to return with truss head screw (size varies)

Stainless steel Mounting Stud Size varies (see table)

Threaded Stud Boss Size varies by bracket



DETAIL DW II SCALE 1:1

Back secured with stainless steel pan-head screw

Optional spacer sleeve (Size varies)

Removable clear or light diffused Lexan or stainless steel back.

LETTER SIZE	MIN. DEPTH	STUD	BRACKET
6" to 24"	1.0"	10 - 24	Medium
over 24"	1.75"	1/4 - 20	Large

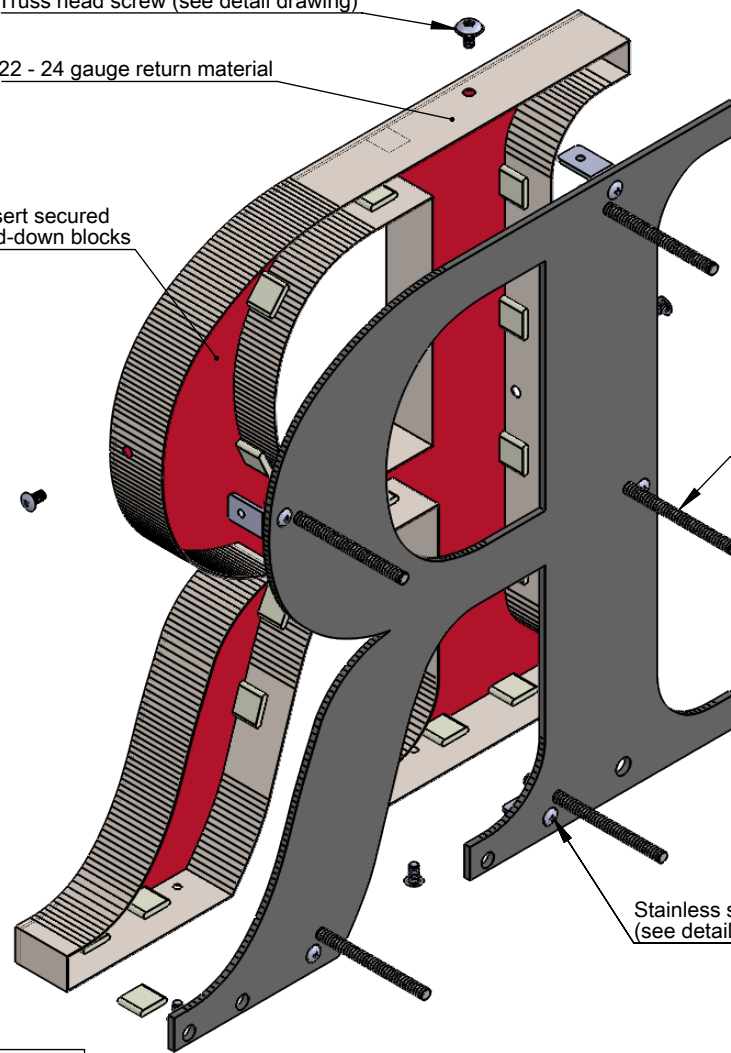
Truss head screw (see detail drawing)

22 - 24 gauge return material

Face insert secured with hold-down blocks

Threaded studs

Stainless steel screw (see detail DW)



ISOMETRIC BACK VIEW II SCALE 1:3

- Notes:**
- Metal back - Pan-head slightly recessed
  - Lexan back - Flush stainless steel screw
  - Tie backs required (not supplied) on letters > 8" high
  - Return grain will run around the perimeter of the letter

INSERT OPTIONS	
Stainless steel	18-20 gauge up to 24" high
Stainless steel	16-18 gauge over 24" to 36" high
Acrylic	3/16" thick - up to 36" high

**MATERIAL OPTIONS**

- Standard - 304 prefinished stainless steel
- Optional - 316 prefinished stainless steel (more corrosion resistant)
- 304 prefinished stainless with titanium coating



TITLE:  
**CUT OUT FACE WITH INSERT - WITH BACK FOR LEDS - REMOVABLE CAN MOUNT**

MATERIAL:  
**STAINLESS STEEL**

PRODUCT TYPE:  
**FABRICATED METAL**