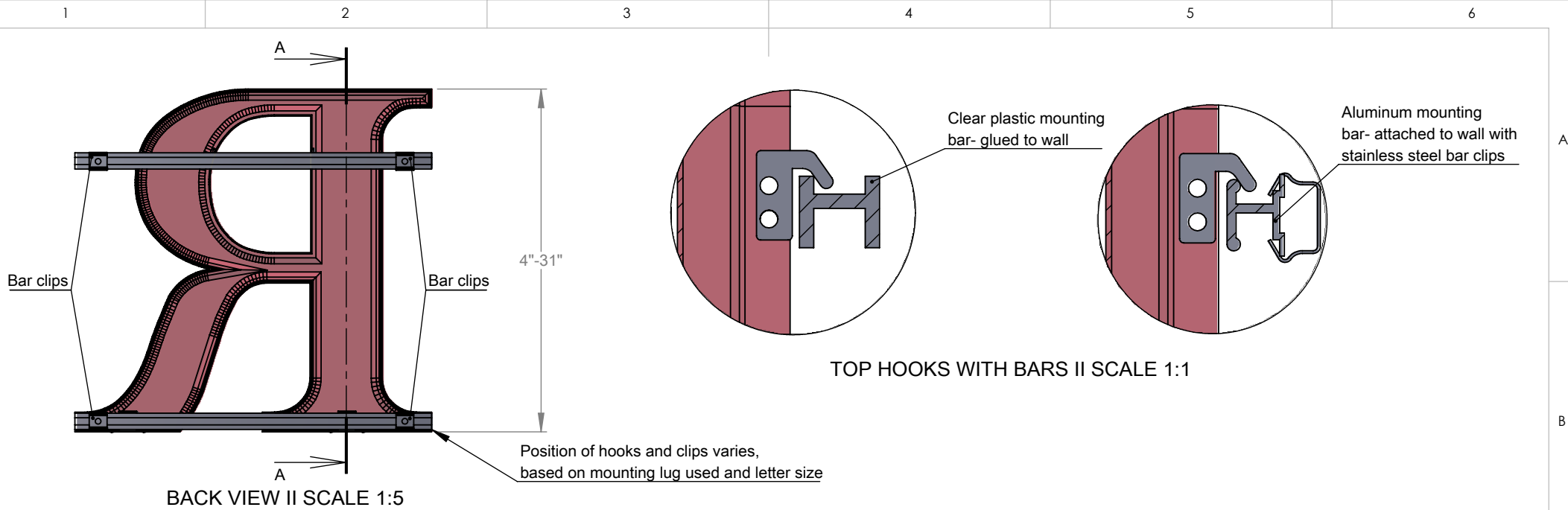


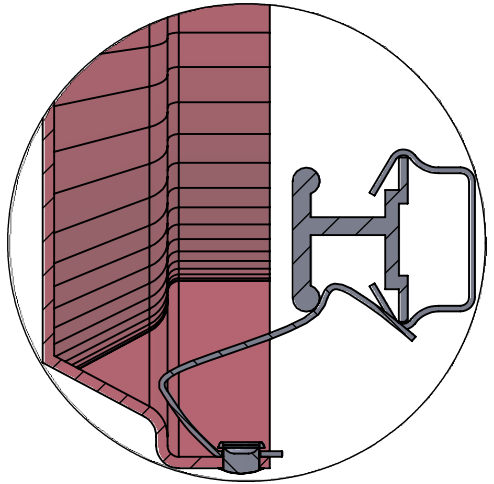
PRODUCT CONSTRUCTION EXAMPLE



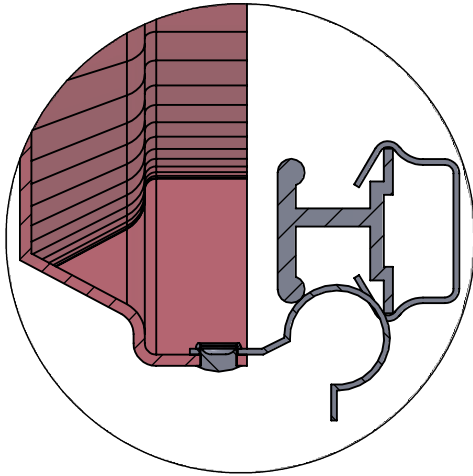
TOP HOOKS WITH BARS II SCALE 1:1

BACK VIEW II SCALE 1:5

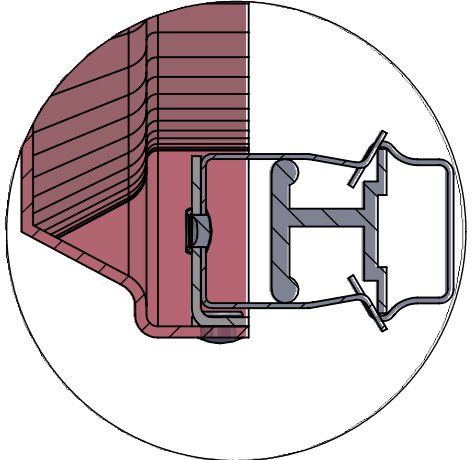
Position of hooks and clips varies, based on mounting lug used and letter size



#2 LUG II SCALE 3:2



#3 LUG II SCALE 3:2



#6 LUG II SCALE 3:2

LUG TYPE	LETTER SIZE
#2	5" Snap - Lok & 4 1/2" STND. B
#3	4" Snap-Lok A & 6" Snap-Lok A
#6	All other letters

INSTALL NOTES

LETTER SIZE	BAR SPACING	BAR CLIPS
4"	2 7/8" On center	12" On center
4 1/2"	3 7/8" On center	12" On center
5"	4 3/8" On center	12" On center
6"	4 7/8" On center	12" On center
8" - 31"	7" On center	12" On center



TITLE: SNAP-LOK LETTERS - LUG MOUNTS		
MATERIAL: CAB	PRODUCT TYPE: CHANGABLE LETTERS	