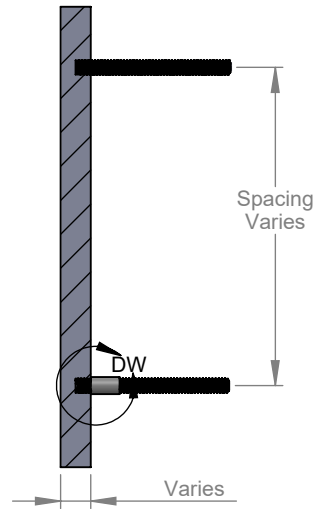
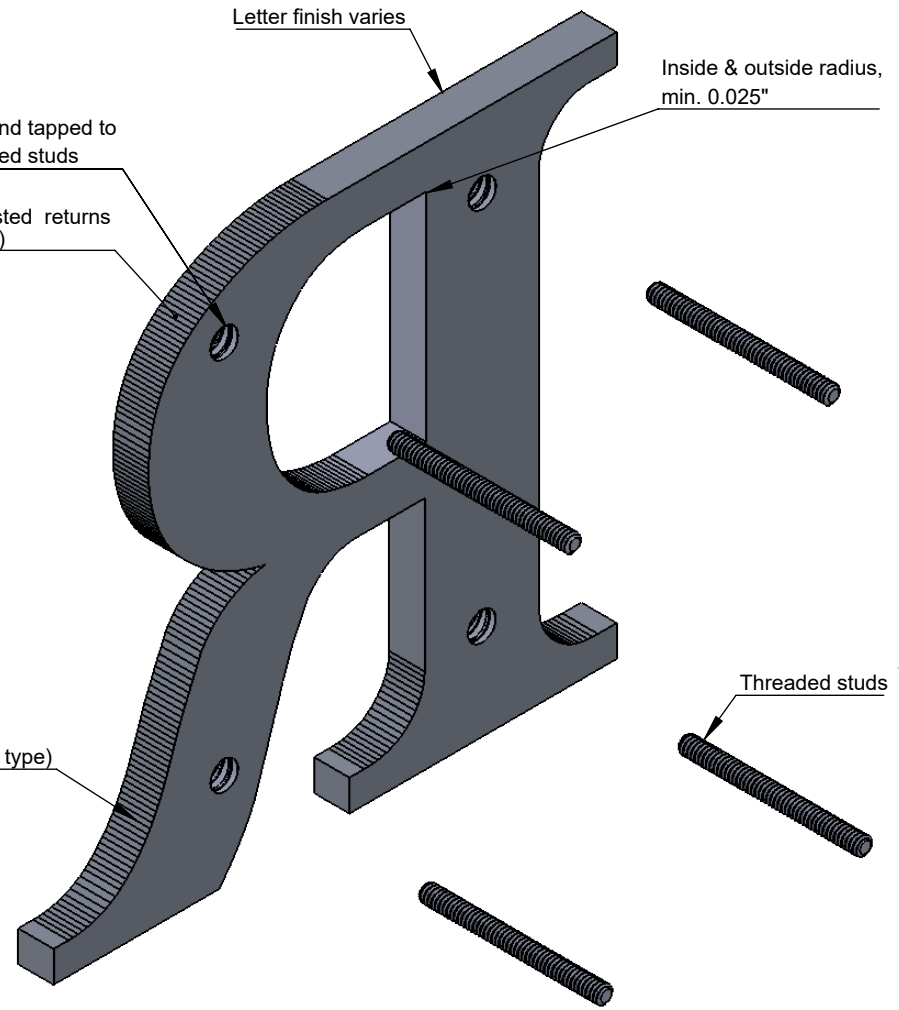


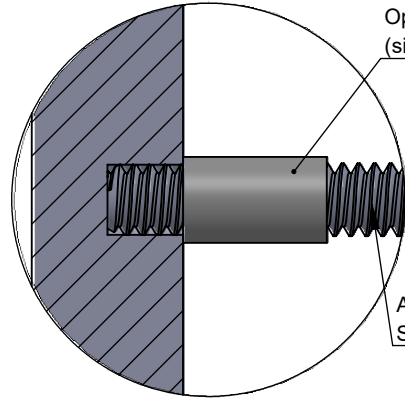
FRONT VIEW II SCALE 1:2.5



SECTION VIEW A-A II SCALE 1:2.5



ISOMETRIC BACK VIEW II SCALE 1:1.5



DETAIL DW II SCALE 2:1

1/4" - 1" Thick (based on metal type)

Aluminum studs with aluminum letters
Stainless steel studs with other metal types

SIZE	MIN STUDS/LTR
Up to 3"	3 studs
over 3" - 15"	4 studs
Over 15"	6 studs
Punctuation	2 studs

NOTES:
 - Typical stud length 2" beyond back of letter
 - Letters under 15" high - 10/24 studs, 15"+ high - 1/4-20 studs.
 - Less than 3/8" stroke, 6-32 or 4-40 studs
 - Minimum 1/4" thick
 - Letters or logos, standard or custom



TITLE:			
FLAT CUT METAL - STUD MOUNT			
MATERIAL:		PRODUCT TYPE:	
METAL		FLAT CUT METAL	
DWG NO. FTMT10	REV 10/25/16	SCALE: AS INDICATED	SHEET 1 OF 1