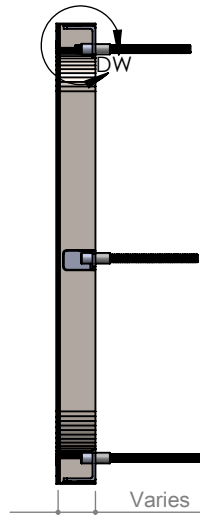
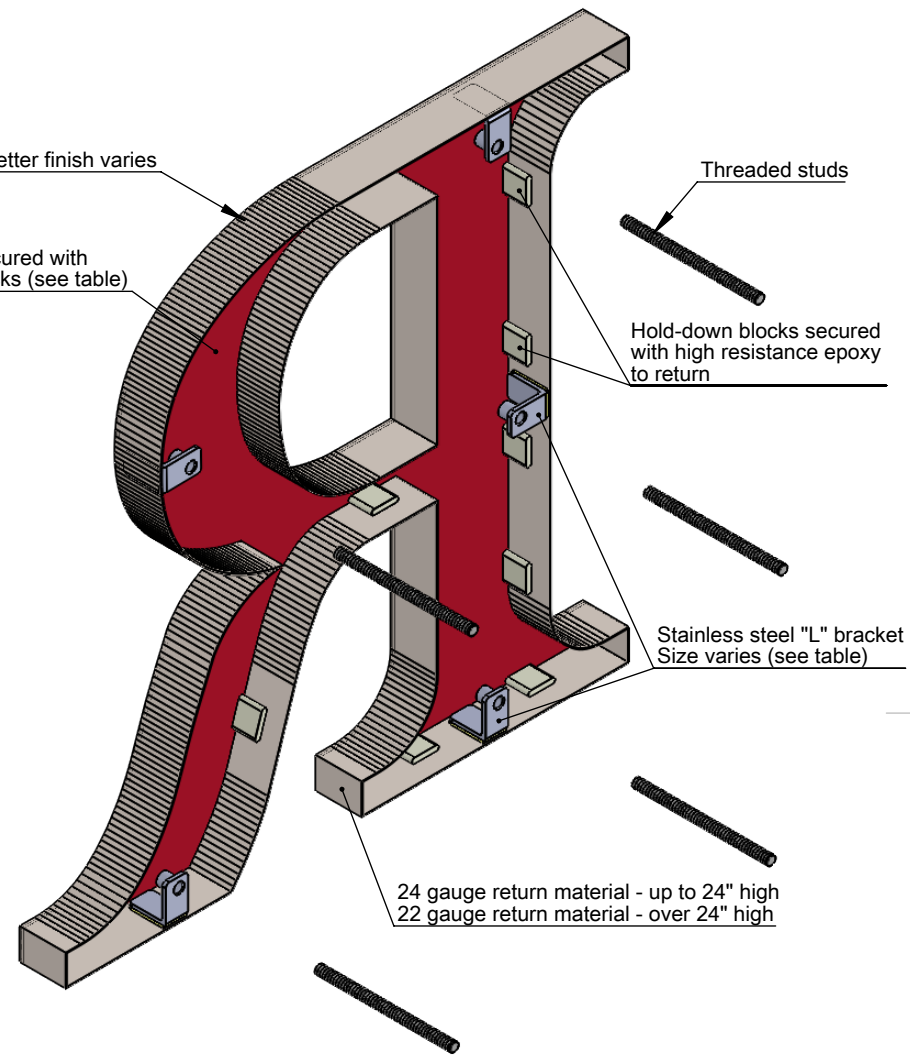


FRONT VIEW II SCALE 1:5

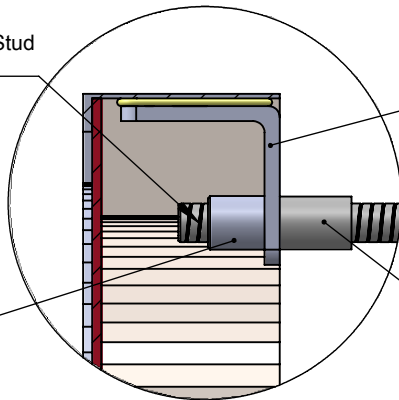


SECTION A-A II SCALE 1:5



ISOMETRIC BACK VIEW II SCALE 1:3

Stainless steel mounting Stud
Size varies (see table)



DETAIL DW II SCALE 1:1

"L" bracket secured with
high resistance epoxy to return

Threaded Stud Boss
Size varies by bracket

Optional spacer sleeve
(Size varies)

| INSERT OPTIONS | |
|-----------------|--|
| Stainless steel | 18-20 gauge up to 24" high 16-18 gauge over 24" to 36" high |
| Acrylic | 3/16" thick - up to 36" high |

| LETTER SIZE | MIN. DEPTH AND STROKE | | BRACKET | STUD |
|----------------|-----------------------|---------|---------|----------|
| up to 6" | 0.6" | 15 mm | Small | 6 - 32 |
| over 6" to 24" | 1.0" | 25.4 mm | Medium | 10 - 24 |
| over 24" | 1.75" | 44.5 mm | Large | 1/4 - 20 |

NOTES:
 - Letter stroke must be 50% of depth
 Ex: A 2" deep letter needs a 1" min. stroke
 - Return grain will run around the perimeter of the letter



MATERIAL OPTIONS
 Standard - 304 prefinished stainless steel
 Optional - 316 prefinished stainless steel (more corrosion resistant)
 - 304 prefinished stainless with titanium coating

TITLE:
CUT OUT FACE WITH INSERT- NO BACK - SIDE MOUNT

MATERIAL:
STAINLESS STEEL

PRODUCT TYPE:
FABRICATED METAL