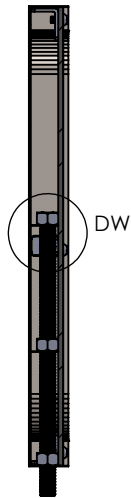


FRONT VIEW II SCALE 1:5

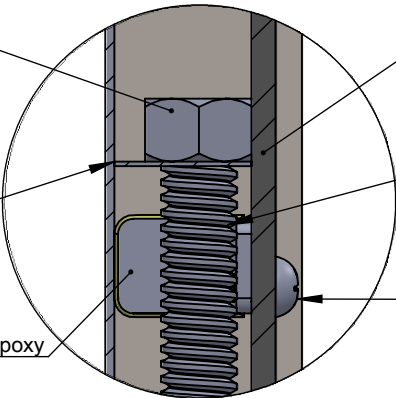


SECTION VIEW A-A II SCALE 1:5

Stainless steel
Hex nut (size varies)
Soldered to strap

16 gauge 2B
Stainless steel strap
Soldered to return

"L" bracket secured
with high resistance epoxy



DETAIL DW II SCALE 1:1

Removable clear or light diffused Lexan
or stainless steel back.
Requires tie back (not included)

Stainless steel mounting stud
(size varies)

Stainless steel pan-head screw
to secure back (see note)

16 or 18 gauge face

Lead free continuous
solder inside face

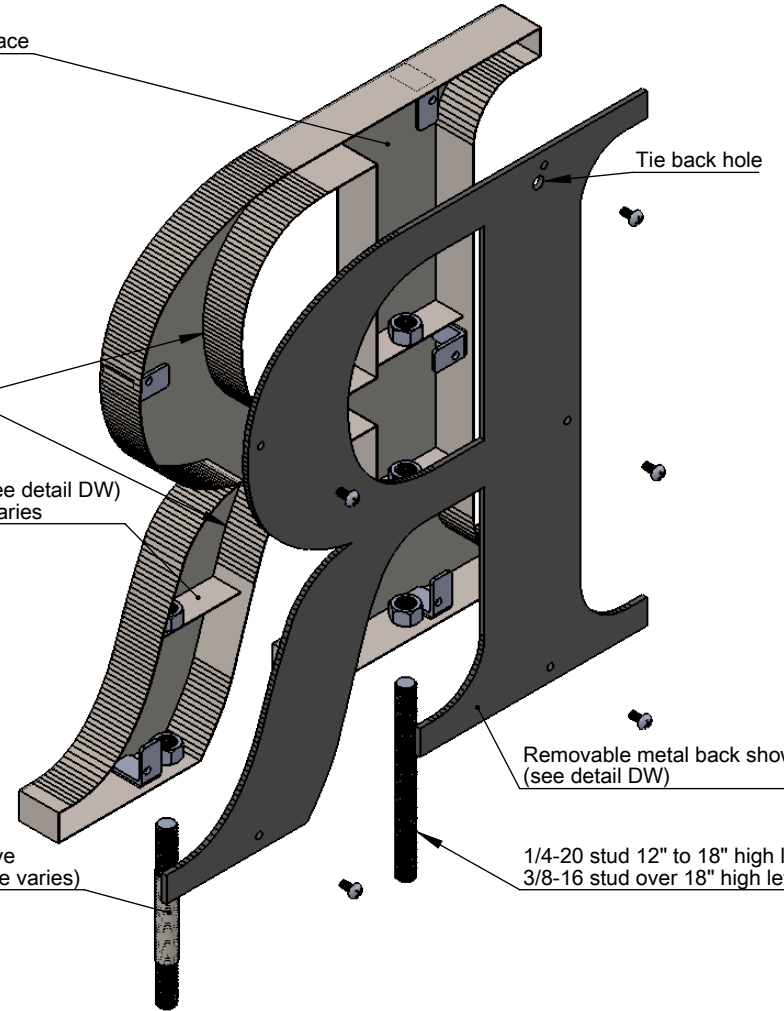
Stainless steel strap (see detail DW)
Location and quantity varies

Spacer sleeve
Optional (size varies)

Tie back hole

Removable metal back shown
(see detail DW)

1/4-20 stud 12" to 18" high letters
3/8-16 stud over 18" high letters



ISOMETRIC BACK VIEW II SCALE 1:3

NOTES:

- Metal back - panhead slightly recessed
- Lexan back - flush stainless steel screw
- Return grain will run around the perimeter of the letter

BACK OPTIONS

- Clear Lexan: 12-24" high - 0.118 thick, over 24" - 0.236" thick
- Light diffused Lexan: 0.177" thick
- Stainless steel - same gauge as face

MATERIAL OPTIONS

- Standard - 304 prefinished stainless steel
- Optional - 316 prefinished stainless steel (more corrosion resistant)
- 304 prefinished stainless with titanium coating



TITLE:

METAL FACE WITH BACK - ENGINEERED STUD MOUNT

MATERIAL:

STAINLESS STEEL

PRODUCT TYPE:

FABRICATED METAL