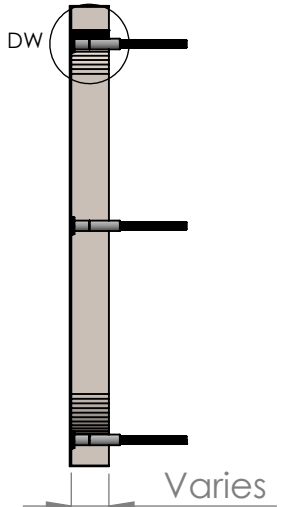
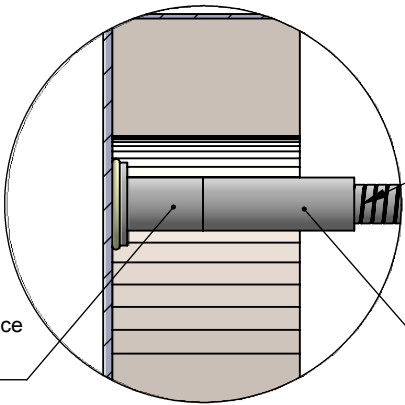


FRONT VIEW II SCALE 1:5



SECTION A-A II SCALE 1:5

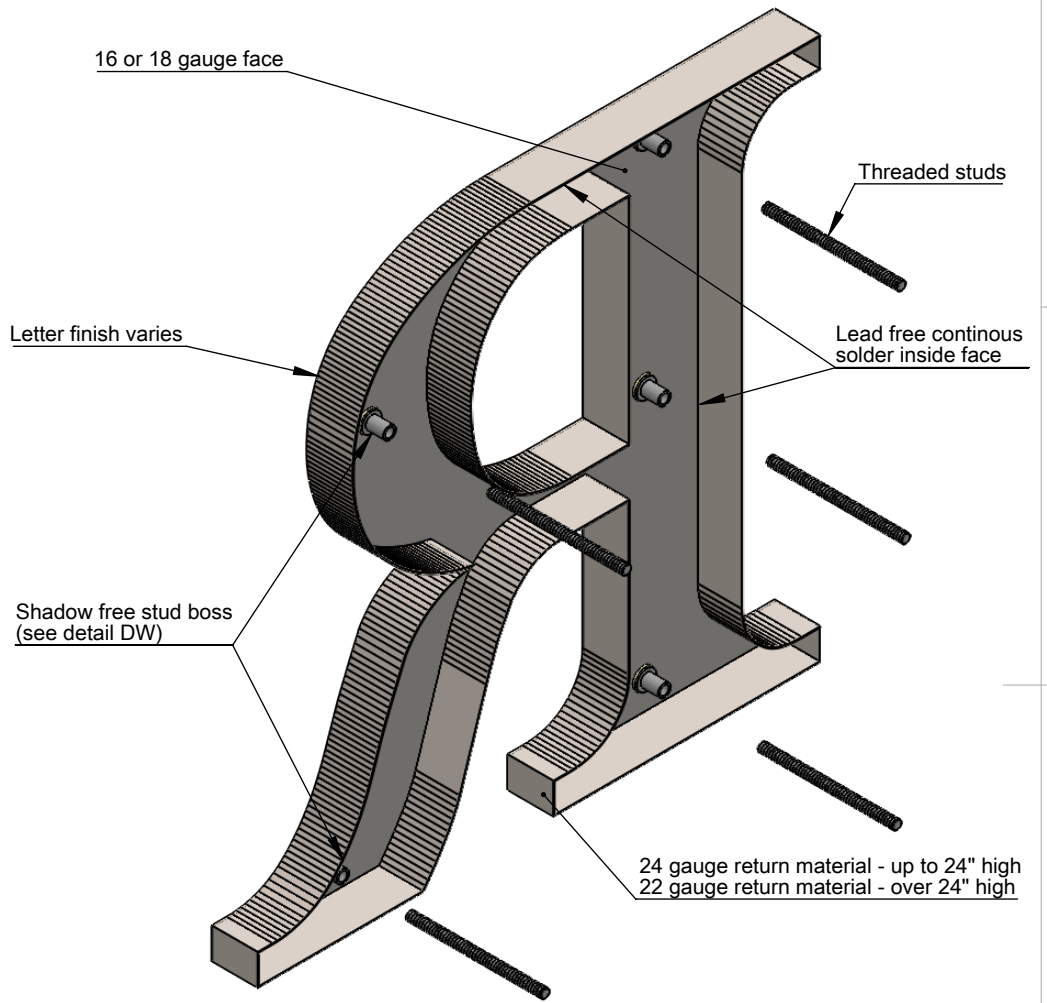


DETAIL DW II SCALE 1:1

Shadow free stud boss secured with high resistance epoxy to back of face
Size varies (see table)

Stainless steel Mounting stud
Size varies (see table)

Optional spacer sleeve (size varies)



ISOMETRIC BACK VIEW II SCALE 1:3

| LETTER SIZE | MIN. STROKE | PAD | STUD |
|-----------------|-------------|------|----------------|
| up to 12" | 0.75" | 19mm | Small 10 - 24 |
| over 12" to 24" | 1.25" | 31mm | Large 1/4 - 20 |

NOTES:
 - Min. 3/8" stroke
 - Return grain will run around the perimeter of the letter

MATERIAL OPTIONS
 Standard - 304 prefinished stainless steel
 Optional - 316 prefinished stainless steel (more corrosion resistant)
 - 304 prefinished stainless with titanium coating



TITLE: METAL FACE NO BACK - SHADOW FREE MOUNT

MATERIAL: STAINLESS STEEL

PRODUCT TYPE: FABRICATED METAL