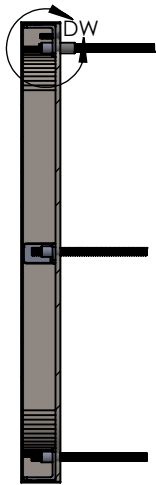




FRONT VIEW II SCALE 1:5



SECTION A-A II SCALE 1:5

"L" bracket secured with high resistance epoxy to return

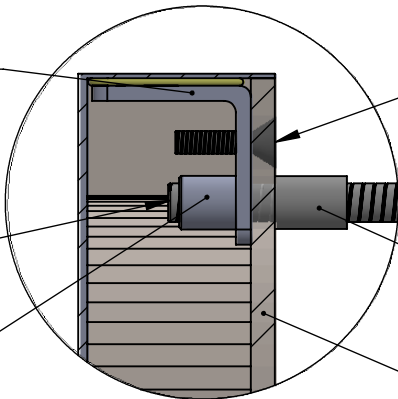
Stainless steel Mounting Stud
Size varies (see table)

Threaded Stud Boss
Size varies by bracket

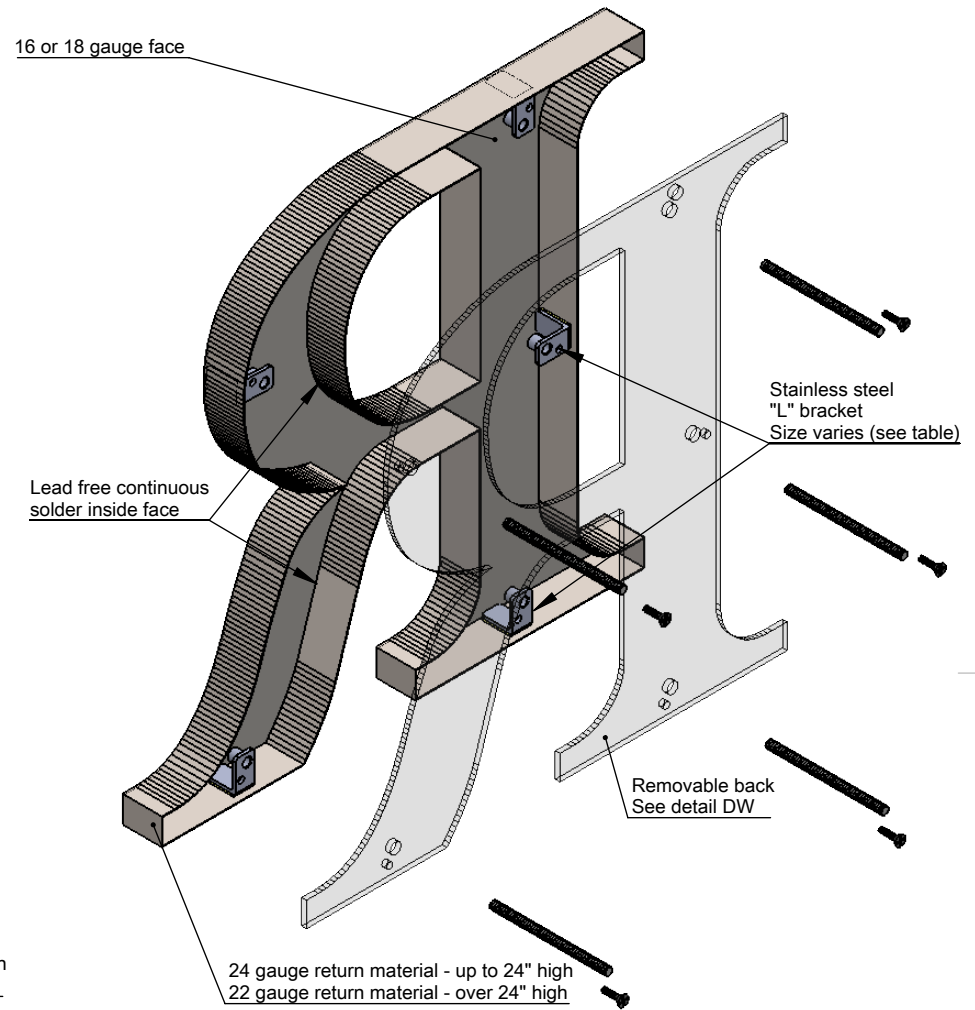
Stainless steel screw secures back

Optional spacer sleeve
(Size varies)

Removable clear or light diffused Lexan or stainless steel back.



DETAIL DW II SCALE 1:1



ISOMETRIC BACK VIEW II SCALE 1:3

LETTER SIZE	MIN. DEPTH	STUD	BRACKET
up to 6"	0.6"	6 - 32	Small
over 6" to 24"	1.0"	10 - 24	Medium
over 24"	1.75"	1/4 - 20	Large

MATERIAL OPTIONS
 Standard - 304 prefinished stainless steel
 Optional - 316 prefinished stainless steel (more corrosion resistant)
 - 304 prefinished stainless with titanium coating

Notes:
 - Return grain will run around the perimeter of the letter



BACK OPTIONS

- Light diffused Lexan: 0.177" thick
- Stainless steel - same gauge as face
- Clear Lexan: 6-24" high - 0.118 thick, over 24" - 0.236" thick

TITLE: **METAL FACE WITH BACK - SIDE MOUNT**

MATERIAL: **STAINLESS STEEL**

PRODUCT TYPE: **FABRICATED METAL**