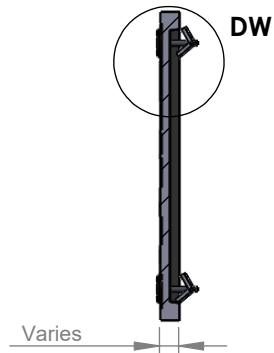
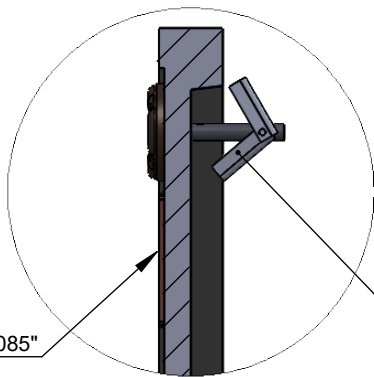


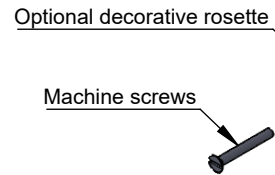
FRONT VIEW II SCALE 1 : 10



SECTION A-A SCALE 1 : 10



DETAIL DW SCALE 1 : 3



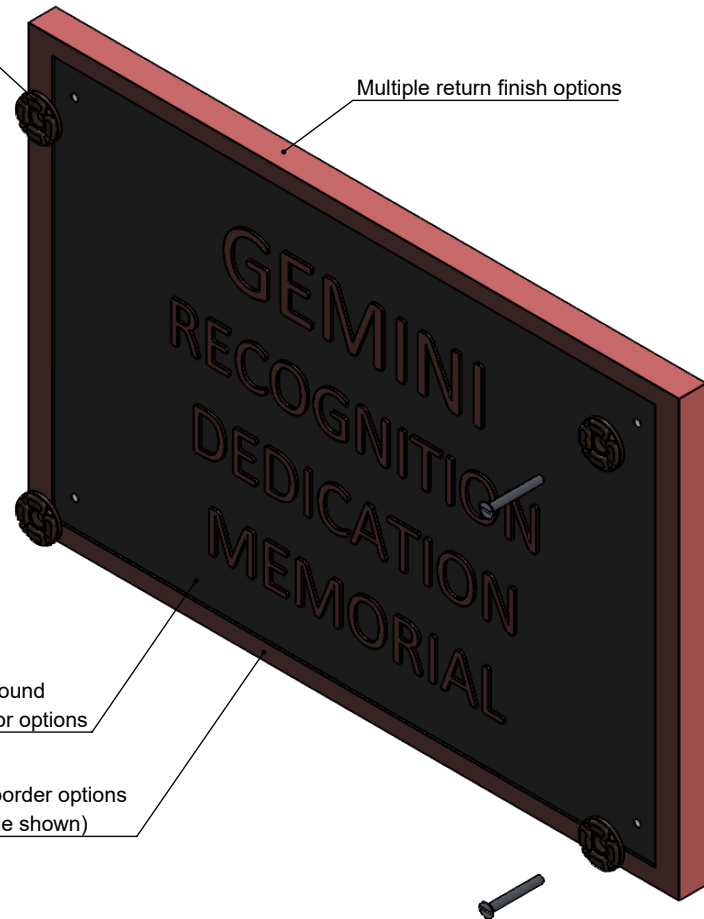
Optional decorative rosette

Machine screws

Multiple return finish options

Multiple background texture and color options

Multiple border options (single line shown)



ISOMETRIC FRONT VIEW II SCALE 1 : 5

STANDARD PRECISION TOOLED PLAQUE DEPTHS		
MATERIAL	SIZE	DEPTH
Bronze/Brass	Up to 320 sq. in.	1/4"
	Over 320 sq. in.	5/16"
Aluminum	All sizes	5/16"
Optional thicker tooled or cast plaques available		

NOTES:

- Optional rosettes are available in 1/2", 3/4", and 1 1/2" diameters
- Satin clearcoat - standard
- Multiple size/type hardware options



TITLE:

PRECISION TOOLED PLAQUE - HOLLOW WALL MOUNT (TYPE C)

MATERIAL:

METAL

PRODUCT TYPE:

METAL PLAQUE