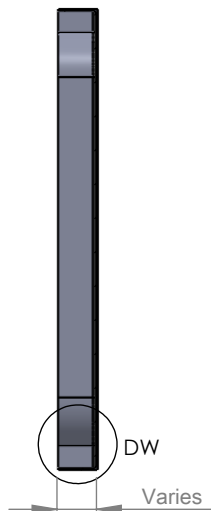
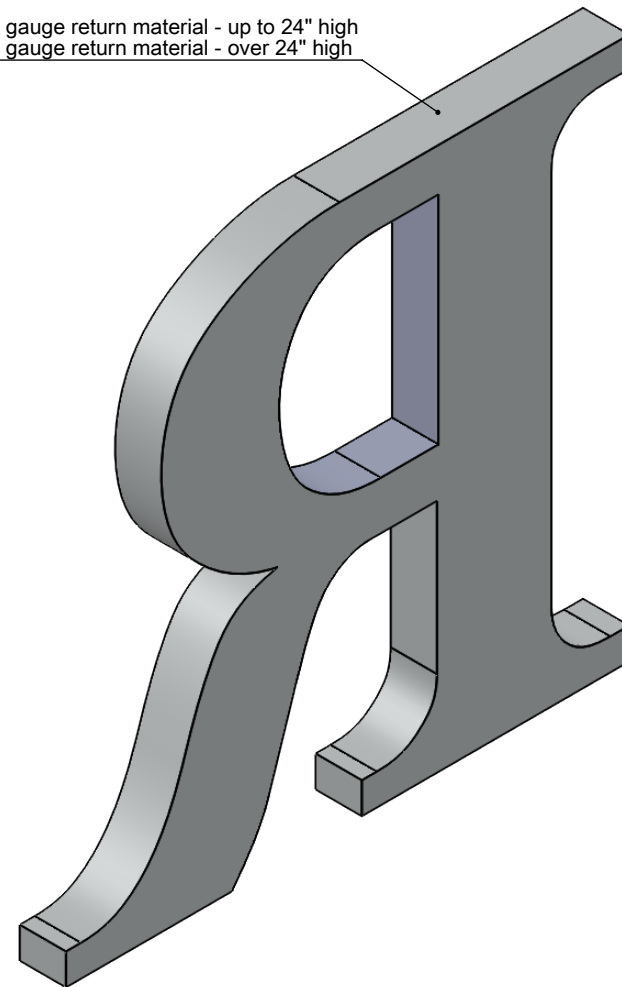


FRONT VIEW II SCALE 1:5

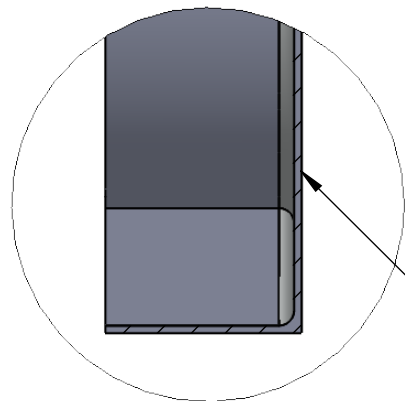


SECTION A-A II SCALE 1:5

24 gauge return material - up to 24" high  
22 gauge return material - over 24" high



ISOMETRIC BACK VIEW II SCALE 1:3



Stainless steel back soldered to return  
Optional - Painted back.

DETAIL DW II SCALE 1:1

**MATERIAL OPTIONS**

- Standard - 304 prefinished stainless steel
- Optional - 316 prefinished stainless steel (more corrosion resistant)
- Optional - 304 prefinished stainless with titanium coating

**NOTE:**

- Return grain will run around the perimeter of the letter



TITLE: <b>OPEN FACE WITH METAL BACK - NO MOUNT</b>			
MATERIAL: <b>STAINLESS STEEL</b>		PRODUCT TYPE: <b>FABRICATED METAL</b>	
DWG NO. FABL260	REV 11/08/18	SCALE: AS INDICATED	SHEET 1 OF 1