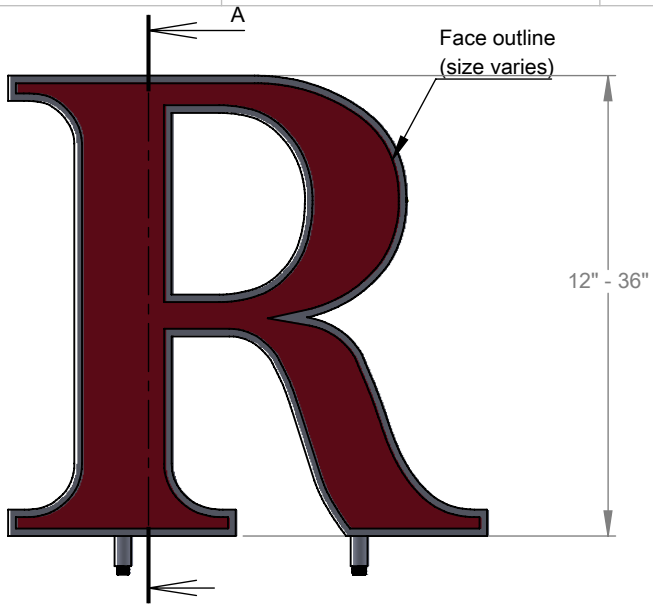
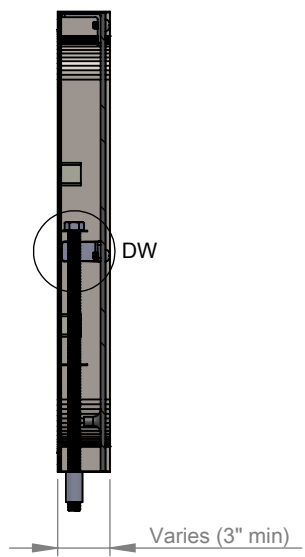


PRODUCT CONSTRUCTION EXAMPLE

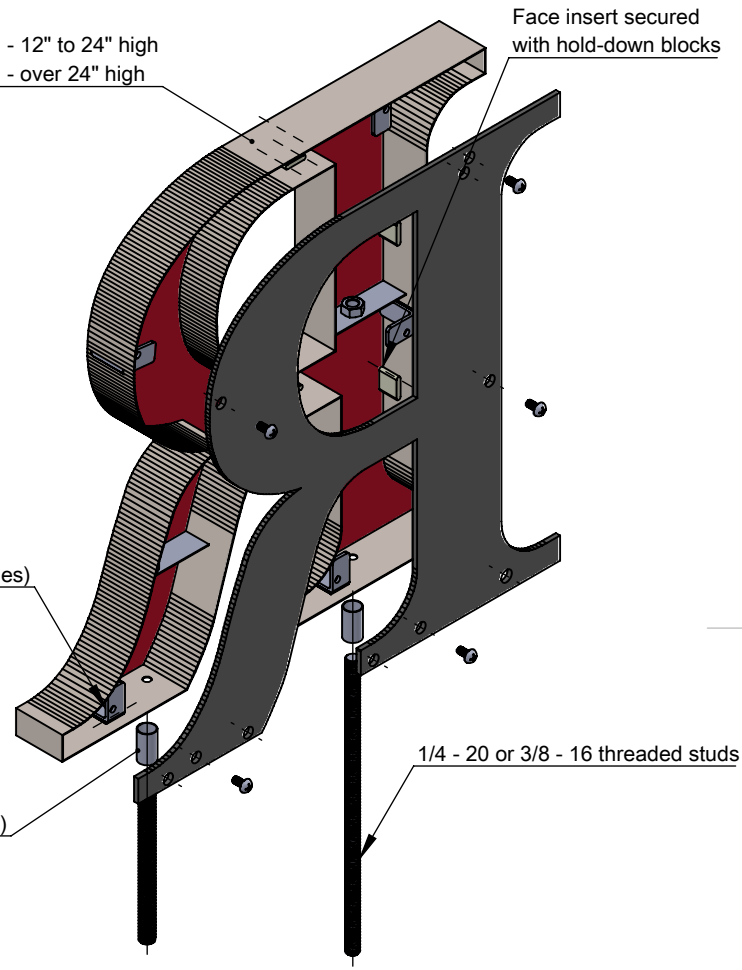


FRONT VIEW II SCALE 1:5

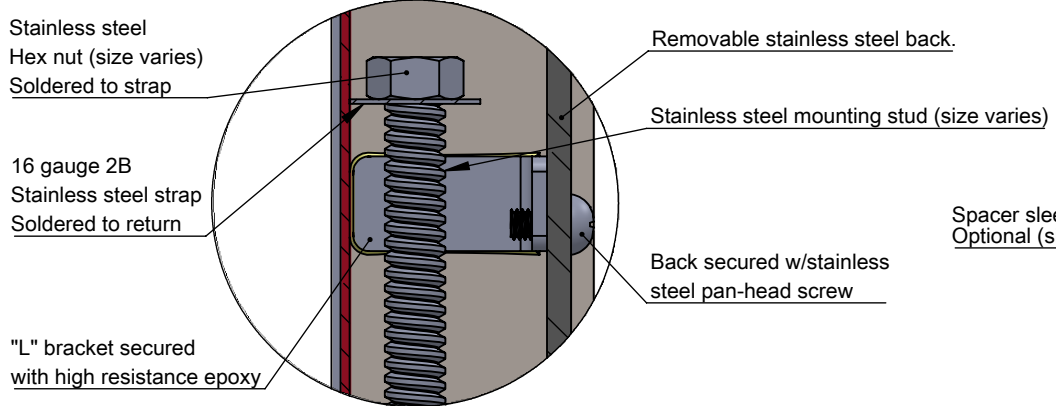


SECTION A-A II SCALE 1:5

24 gauge return material - 12" to 24" high
 22 gauge return material - over 24" high



ISOMETRIC BACK VIEW II SCALE 1:4



DETAIL DW II SCALE 1 : 1

NOTES:

- Lexan back - Flush stainless steel screw
- Metal back - Pan-head screw slightly recessed

| INSERT OPTIONS | |
|-----------------|----------------------------------|
| Stainless steel | 18-20 gauge up to 24" high |
| Stainless steel | 16-18 gauge over 24" to 36" high |
| Acrylic | 3/16" thick - up to 36" high |

- NOTES:
- Tie backs required (not supplied) on letters > 8" high
 - Return grain will run around the perimeter of the letter

- MATERIAL OPTIONS
- Standard - 304 prefinished stainless steel
 - Optional - 316 prefinished stainless steel (more corrosion resistant)
 - 304 prefinished stainless with titanium coating



| | |
|--|--|
| TITLE: CUT OUT FACE WITH INSERT - WITH BACK FOR LEDS - ENGINEERED STUD MOUNT | |
| MATERIAL: STAINLESS STEEL | PRODUCT TYPE: FABRICATED METAL |
| DWG NO. FABL240 | REV 11/07/18 |
| SCALE: AS INDICATED | SHEET 1 OF 1 |