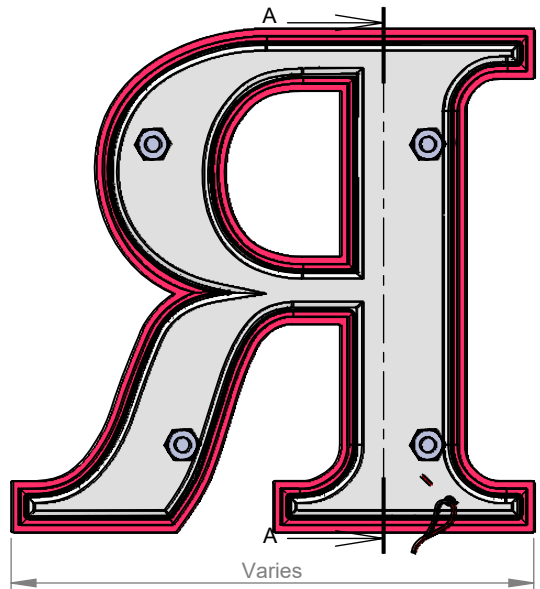
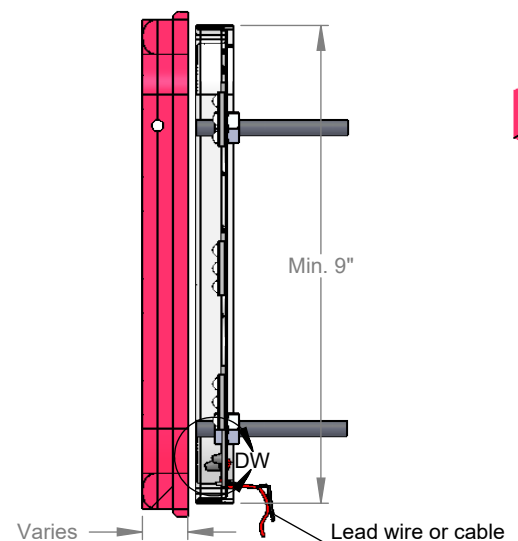


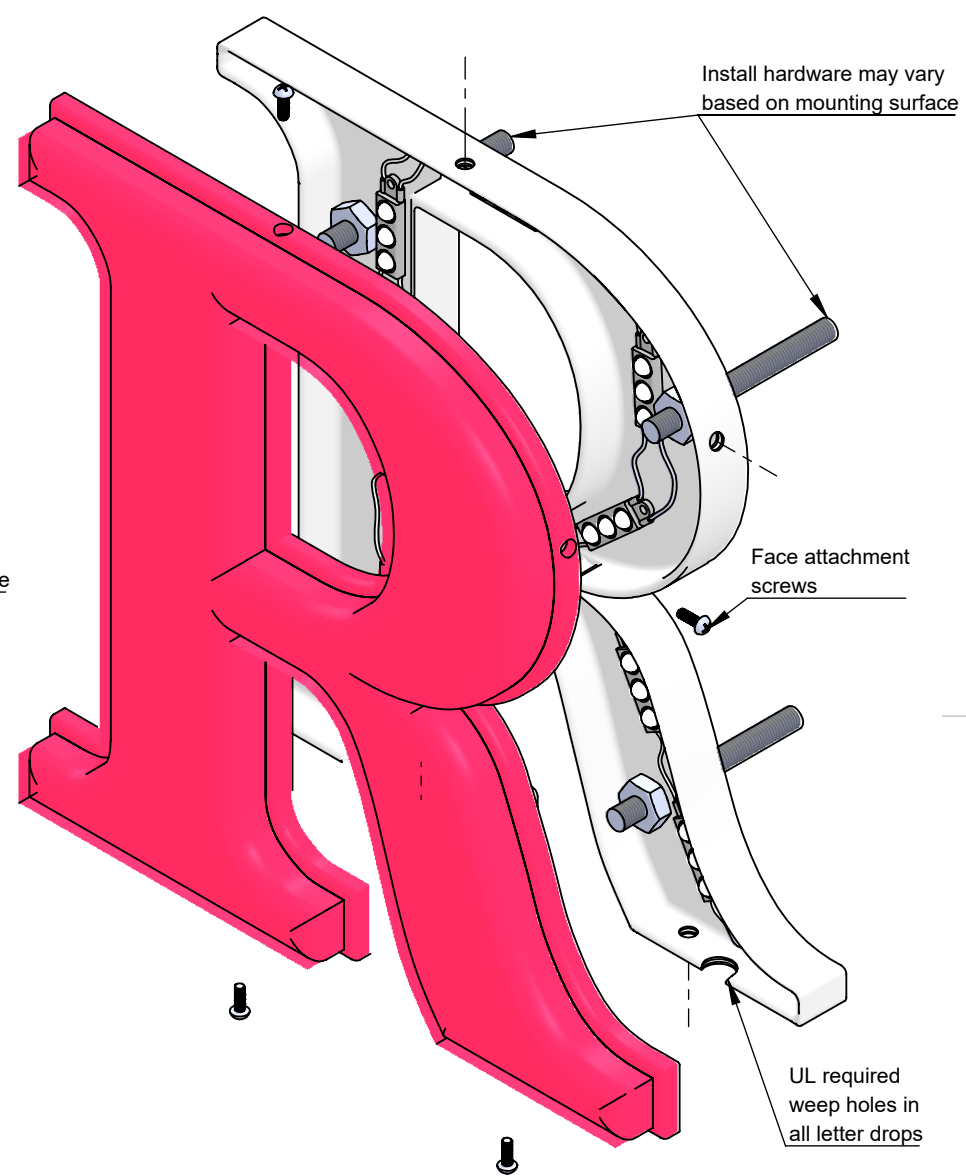
PRODUCT CONSTRUCTION EXAMPLE



BACK VIEW II SCALE 1:5

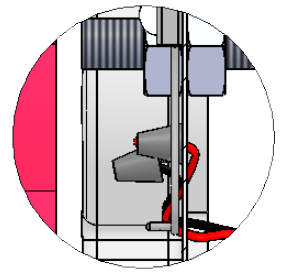


SECTION VIEW A-A II SCALE 1:5



ISOMETRIC BACK VIEW II SCALE 1:3

INSTALL INSTRUCTIONS:
 Install backs to wall or raceways with studs & nuts, screws, or anchors- per requirements of project or specifications. Secure face to back with small screws. Wiring per NEC & local electrical codes & UL requirements.



DETAIL DW II SCALE 2 : 3

- NOTES:**
- Shown with optional LED package - UL listed with LEDs and 12VDC power supply. Available without LEDs, upon request.
 - Standard or custom style options - traditional or flush face options (traditional face shown).
 - CAB plastic face and back - designed for LED lighting - UL approved.
 - Minimum 9" high letters or logos. Flat, round, or prismatic profile options.
 - Lead wires or optional cable wire available- standard 36" optional lengths available



TITLE: **GEMLITE FORMED CHANNEL LETTERS WITH LEDs**

(Drawings/Illuminated/GEML10)

MATERIAL:	C.A.B.	PRODUCT TYPE:	ILUMINATED PRODUCTS
-----------	---------------	---------------	----------------------------