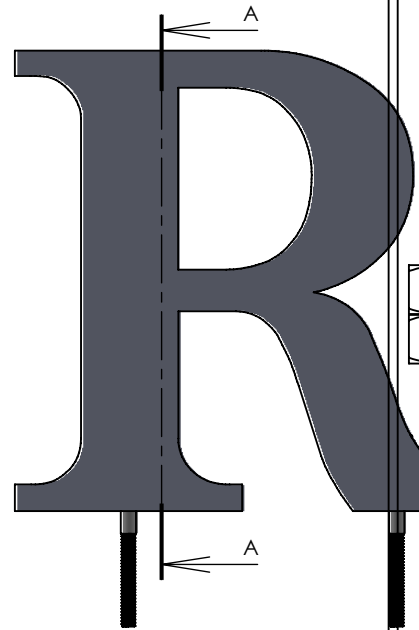
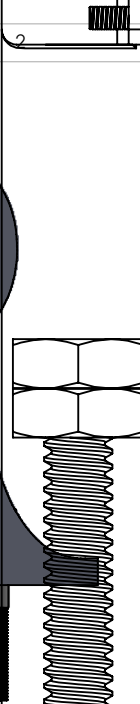


PRODUCT CONSTRUCTION EXAMPLE



FRONT VIEW II SCALE 1:5



SECTION VIEW A-A II SCALE 1:5

Stainless steel mounting stud (size varies)

Flush back secured with stainless steel screws

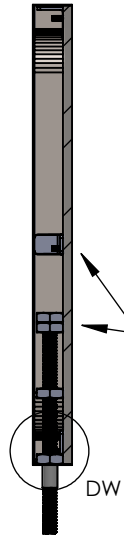
Stainless steel Hex nut (size varies) welded to thick back

Thick 1/8" or 1/4" stainless steel back (Raw or painted finish)

"L" bracket secured with high resistance epoxy

Optional spacer sleeve (size varies)

DETAIL DW II SCALE 1:1



DW

16 or 18 gauge face

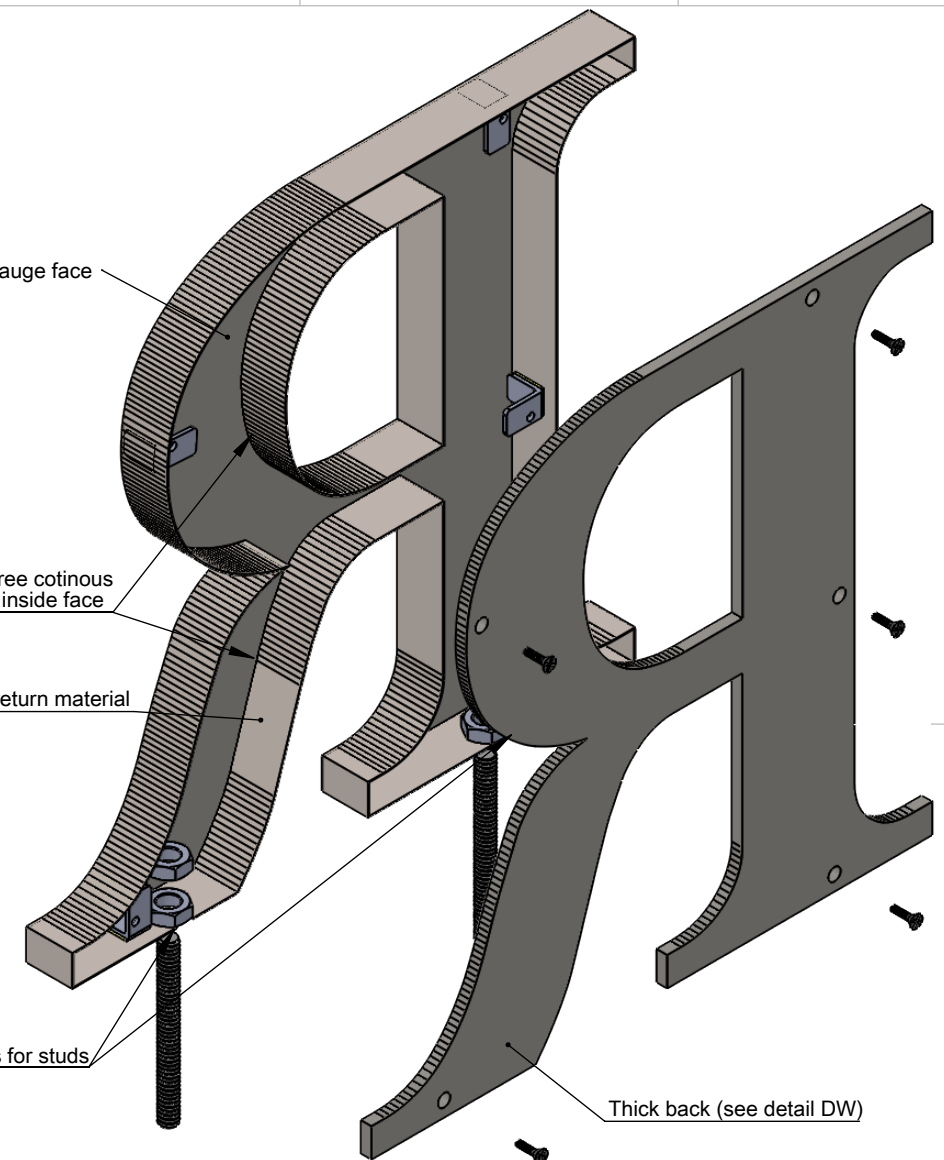
Additional welded nut supports

Lead free cotinuous solder inside face

22 gauge return material

Slots for studs

Thick back (see detail DW)



ISOMETRIC BACK VIEW II SCALE 1:3

**NOTES:**  
 - Nuts welded to backs. No tie-backs required.  
 - Return grain will run around the perimeter of the letter

**STUDS:**  
 - Up to 18" high 3/8-16 studs - min. 2 per letter  
 - Over 18" high 1/2" studs - min. 2 per letter

**MATERIAL OPTIONS**  
 Standard - 304 prefinished stainless steel - multiple finishes  
 Optional - 316 prefinished stainless steel (more corrosion resistant) - multiple finishes  
 - 304 prefinished stainless with titanium coating



TITLE: METAL FACE WITH THICK BACK - BOTTOM STUD

MATERIAL: STAINLESS STEEL

PRODUCT TYPE: FABRICATED METAL