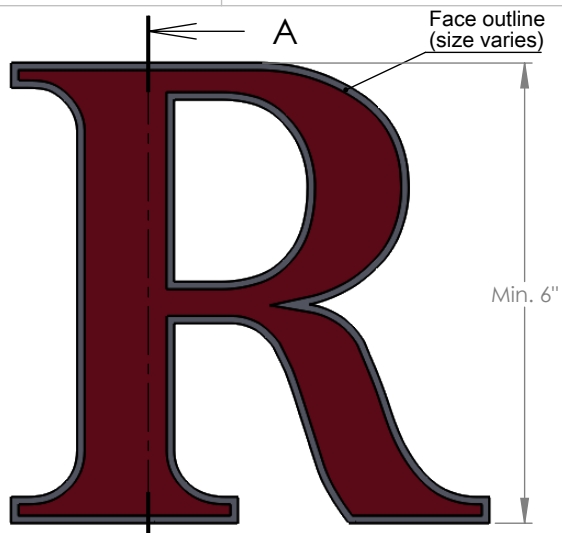
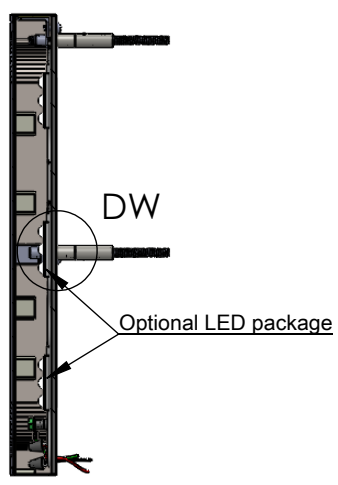


PRODUCT CONSTRUCTION EXAMPLE

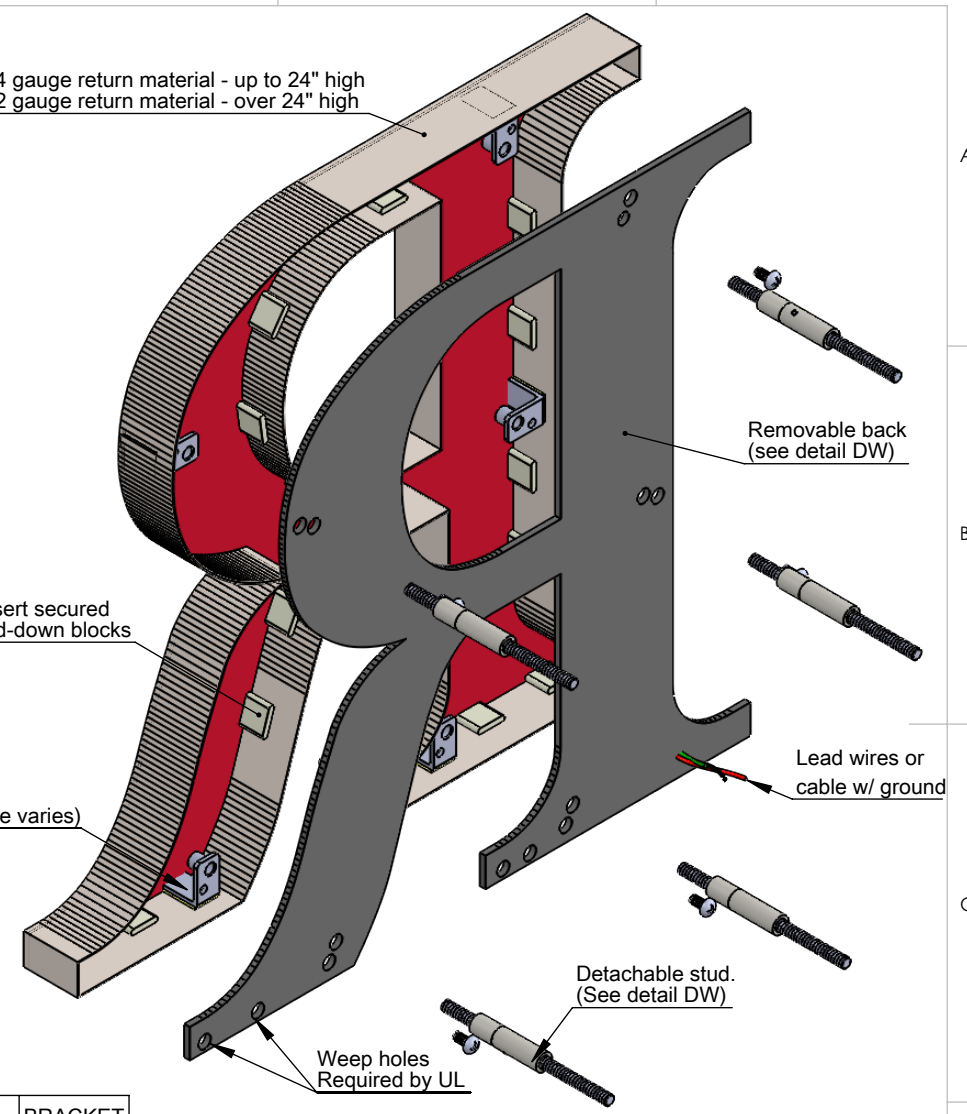


FRONT VIEW II SCALE 1:5

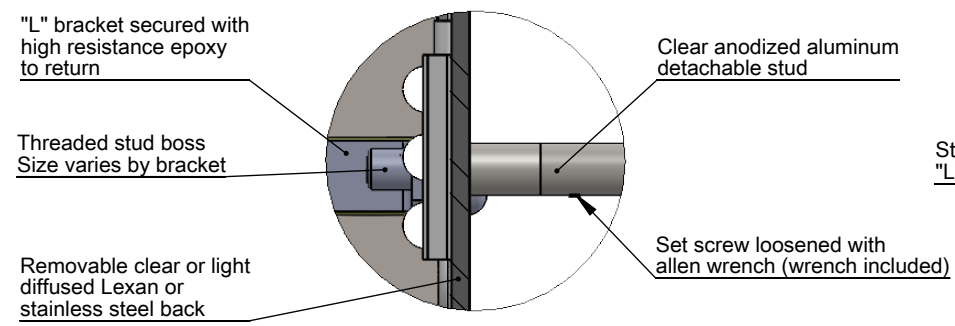


SECTION A-A II SCALE 1:5

24 gauge return material - up to 24" high  
22 gauge return material - over 24" high



ISOMETRIC BACK VIEW II SCALE 1:3



DETAIL DW II SCALE 1:1

INSERT OPTIONS	
Stainless steel	18-20 gauge up to 24" high
	16-18 gauge over 24" to 36" high
Acrylic	3/16" thick - up to 36" high

LETTER SIZE	MIN. DEPTH	STUD	BRACKET
6" to 24"	1.0"	10 - 24	Medium
over 24"	1.75"	1/4 - 20	Large

**BACK OPTIONS**  
 - Clear Lexan: 6-12" high - 0.118 thick  
 - Light diffused Lexan: 0.177" thick  
 - Stainless steel - same gauge as face

**NOTES:**  
 - Minimum 1" stroke for LEDs, min. 2" deep  
 - Lead wires or optional cable wire available  
 - Optional: UL listed - LED halo lit package shown  
 - Metal back - Pan-head screw slightly recessed  
 - Lexan back - Flush stainless steel screw  
 - Tie backs required (not supplied) on letters > 8" high  
 - Return grain will run around the perimeter of the letter

**MATERIAL OPTIONS**  
 Standard - 304 prefinished stainless steel  
 Optional - 316 prefinished stainless steel (more corrosion resistant)  
 - 304 prefinished stainless with titanium coating



TITLE:  
**FACE LIT - WITH LEDS - DETACHABLE STUD**

MATERIAL:  
**STAINLESS STEEL**

PRODUCT TYPE:  
**FABRICATED METAL**