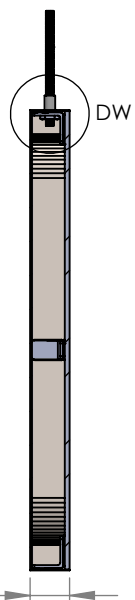
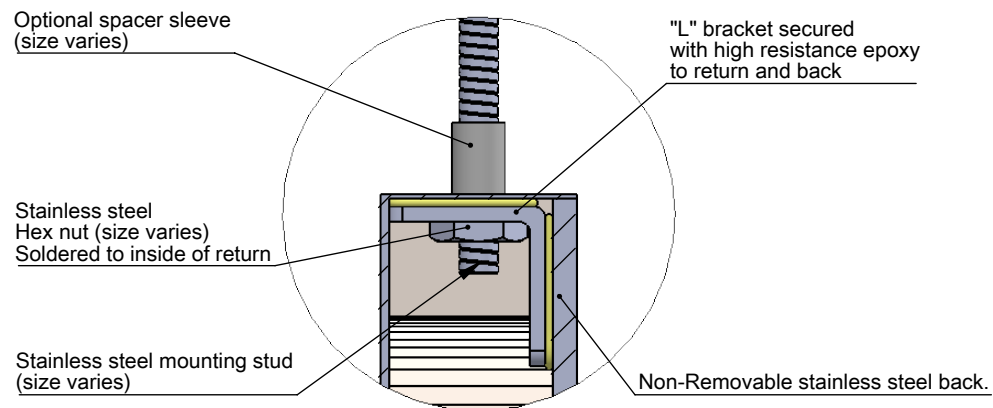


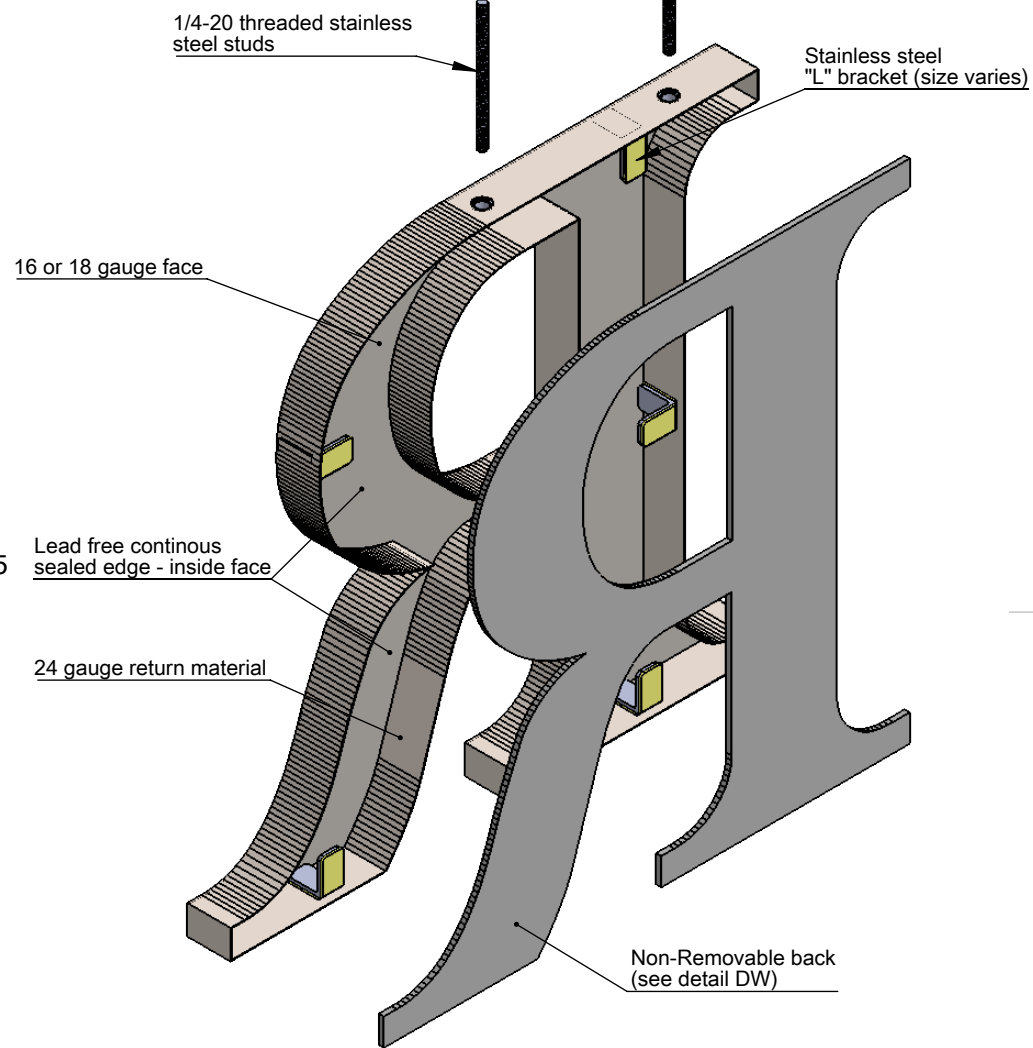
FRONT VIEW II SCALE 1:5



SECTION VIEW A-A II SCALE 1:5



DETAIL DW II SCALE 1:1



ISOMETRIC BACK VIEW II SCALE 1:3

NOTES:
 - Tie backs required (not supplied) on letters > 8" high
 - Return grain will run around the perimeter of the letter

BACK OPTIONS

- Stainless steel - same gauge as face

MATERIAL OPTIONS

Standard - 304 prefinished stainless steel

Optional - 316 prefinished stainless steel (more corrosion resistant)

- 304 prefinished stainless with titanium coating



TITLE:
**METAL FACE WITH NON-REMOVABLE BACK
 TOP STUD MOUNT**

MATERIAL:
STAINLESS STEEL

PRODUCT TYPE:
FABRICATED METAL